

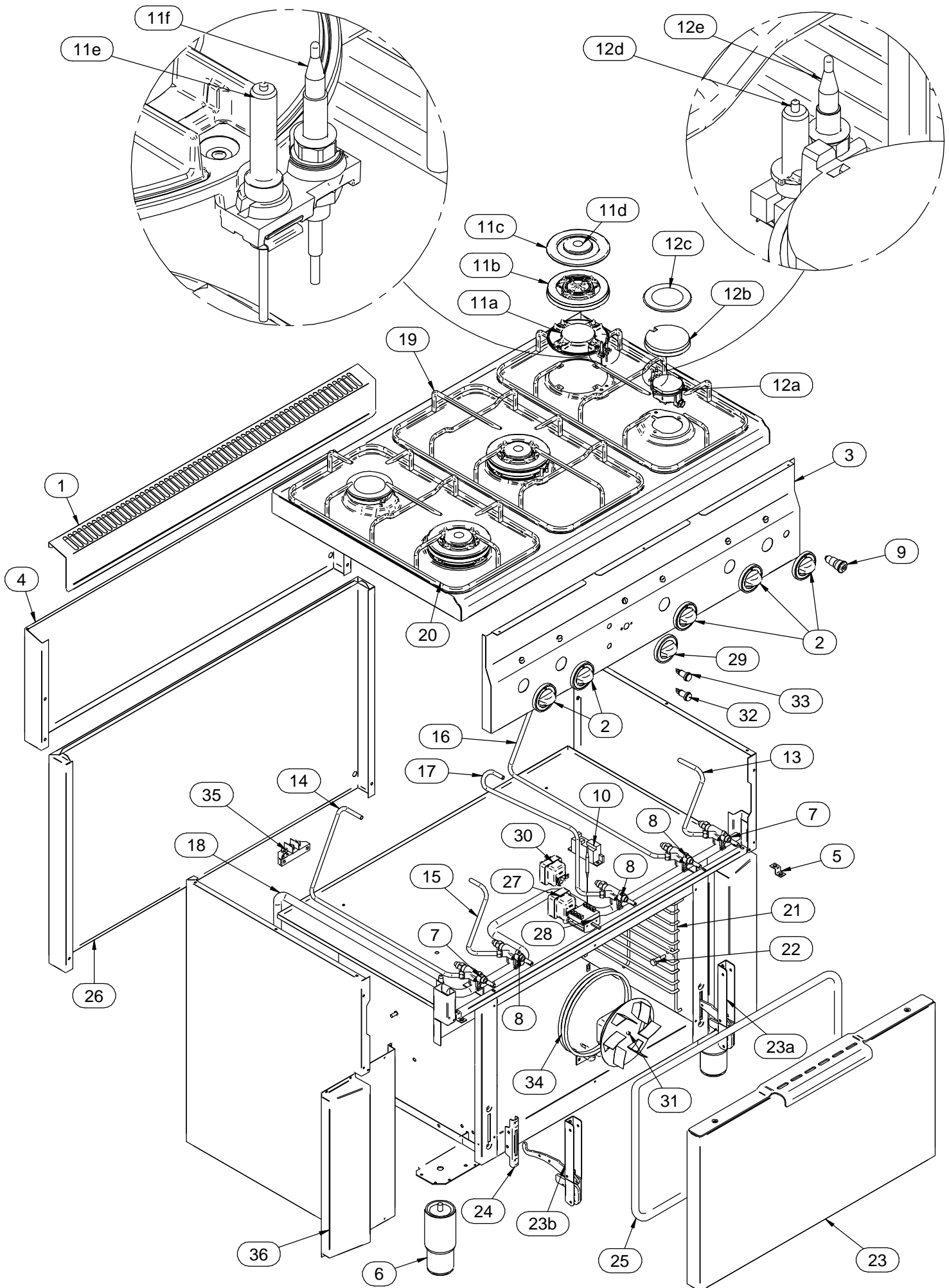
04/2013

Mod: G60/5BFEV9

Production code: 60/90 CFGE



Diamond
catering equipment



Modello Type:	60/90 CFGE				cod. / num. 2531330.00	
					data / date 02/05/2013	
POS. ITEM	CODICE CODE	DESCRIZIONE	DESCRIPTION	DENOMINATION	BENENNUNG	NOTE / NOTES
1	6111259.00	ALZATINA	UPSTAND	DOSSERET	AUFKANTUNG	
2	612.046.00	MANOPOLA	KNOB	BOUTON	DREHKNOFF	
3	256.025.00	CRUSCOTTO	CONTROL PANEL	BANDEAU	BEDIENBLLENDE	
4	6211254.00	PANNELLO POSTERIORE	BACK PANEL	PANNEAU POSTERIEUR	HINTERBRETT	
5	256.002.00	STAFFA FISSAGGIO CRUSCOTTO	CONTROL PANEL FIXING BRACKET	EQUERRE FIXATION BANDEAU	BEFESTIGUNGSWINKEL BEDIENBLLENDE	
6	912.033.00	PIEDINO	FOOT	PIED	STELLFUSS	
7	671.076.00	RUBINETTO GAS	GAS TAP	ROBINET GAZ	GASHAHN	
8	671.077.00	RUBINETTO GAS BRUCIATORE 3 CORONE	TRIPLE CROWN BURNER GAS TAP	ROBINET GAZ 3 COURONNES	GASHAHN 3 KRONEN	
9	663.041.00	PULSANTE ACCENSIONE	LIGHTING BUTTON	BOUTON ALLUMAGE	ZÜNDUNG KNOFF	
10	663.075.00	GENERATORE	GENERATOR	GENERATEUR	GENERATOR	
11	672.150.00	BRUCIATORE 3 CORONE	TRIPLE CROWN BURNER	BRULEUR A 3 COURONNES	BRENNER MIT 3 KRONEN	
11a	672.106.00	CORPO BRUCIATORE	BURNER BODY	CORPS BRULEUR	BRENNER KÖRPER	
11b	672.107.00	SPARTIFIAMMA	FLAMESREADER	CHAPEAU BRULEUR	FLAMMENTEILER	
11c	672.149.00	COPERCHIO	LID	COUVERCLE	DECKEL	
11d	672.148.00	COPERCHIO	LID	COUVERCLE	DECKEL	
11e	256.003.00	CANDELA ACCENSIONE	IGNITION ELECTRODE	BOUGIE D'ALLUMAGE	KERZE SCHNELLBRENNER	
11f	256.004.00	TERMOCOPPIA	THERMOCOUPLE	THERMOCOUPLE	THERMOELEMENT	
12	672.151.00	BRUCIATORE	BURNER	BRULEUR	BRENNER	
12a	672.111.00	CORPO BRUCIATORE	BURNER BODY	CORPS BRULEUR	BRENNER KÖRPER	
12b	672.112.00	SPARTIFIAMMA	FLAMESREADER	CHAPEAU BRULEUR	FLAMMENTEILER	

Modello Type:	60/90 CFGE				cod. / num. 2531330.00	
					data / date 02/05/2013	
POS. ITEM	CODICE CODE	DESCRIZIONE	DESCRIPTION	DENOMINATION	BENENNUNG	NOTE / NOTES
12c	672.147.00	COPERCHIO	LID	COUVERCLE	DECKEL	
12d	256.005.00	CANDELA ACCENSIONE	IGNITION ELECTRODE	BOUGIE D'ALLUMAGE	KERZE SCHNELLBRENNER	
12e	256.006.00	TERMOCOPPIA	THERMOCOUPLE	THERMOCOUPLE	THERMOELEMENT	
13	256.026.00	TUBO GAS	GAS PIPE	TUBE GAZ	GASROHR	
14	256.027.00	TUBO GAS	GAS PIPE	TUBE GAZ	GASROHR	
15	256.028.00	TUBO GAS	GAS PIPE	TUBE GAZ	GASROHR	
16	256.029.00	TUBO GAS	GAS PIPE	TUBE GAZ	GASROHR	
17	256.011.00	TUBO GAS	GAS PIPE	TUBE GAZ	GASROHR	
18	675.401.00	TUBO GAS	GAS PIPE	TUBE GAZ	GASROHR	
19	683.091.00	GRIGLIA	GRILL	GRILLE	GITTER	
20	683.063.00	GRIGLIA	GRILL	GRILLE	GITTER	
21	683.015.00	REGGIGRIGLIA	TRAY RACK	PORTE-PLAQUES	EINHÄNGEGESTELL	
22	641.013.00	FISSAGGIO REGGIGRIGLIA	TRAY RACK FIXING	FIXAGE PORTE-PLAQUES	BEFESTIGUNG DES EINHÄNGEGESTELLS	
23	610.185.00	PORTA	DOOR	PORTE	TÜR	
23a	684.009.00	CERNIERA	JOINT	CHARNIERE	SCHARNIER	
23b	684.010.00	CERNIERA	JOINT	CHARNIERE	SCHARNIER	
24	684.011.00	PORTARULLINO	ROLL HOLDER	PORTE-AIGUILLE DE ROULEMENT	ROLLE-TRÄGER	
25	652.014.00	GUARNIZIONE	WASHER	GUARNITURE	DICHTUNGSRING	
26	6211258.00	PANNELLO POSTERIORE	BACK PANEL	PANNEAU POSTERIEUR	HINTERBRETT	
27	661.027.00	TERMOSTATO	THERMOSTAT	THERMOSTAT	THERMOSTAT	

Modello Type:	60/90 CFGE				cod. / num. 2531330.00	
					data / date 02/05/2013	
POS. ITEM	CODICE CODE	DESCRIZIONE	DESCRIPTION	DENOMINATION	BENENNUNG	NOTE / NOTES
28	661.000.00	COMMUTATORE	CHANGE-OVER SWITCH	COMMUTATEUR	UMSCHALTER	
29	612.003.00	MANOPOLA	KNOB	BOUTON	DREHKNOFF	
30	661.045.00	TERMOSTATO SICUREZZA	SAFETY THERMOSTAT	THERMOSTAT DE SECURITE	TEMPERATURBEGRENZER	
31	M569010100	MOTORE VENTILATORE	MOTOR VENTILATOR	MOTEUR VENTILATEUR	MOTOR LUEFTERRAD	
32	663.044.00	SPIA ARANCIO	ORANGE INDICATOR LIGHT	LAMPE TEMOIN ORANGE	ORANGE KONTROLLAMPE	
33	663.043.00	SPIA VERDE	GREEN INDICATOR LIGHT	LAMPE TEMOIN VERTE	GRUENE KONTROLLAMPE	
34	665.093.00	RESISTENZA	HEATING ELEMENT	RESISTANCE	HEIZKOERPER	
35	M566050000	MORSETTIERA	TERMINAL BOARD	BORNES	KLEMMENBRETT	
36	6211543.00	TAMPONAMENTO	RANGE CLADDING	BOUCHAGE CUISINIERE	GASHERDE ZUSTOPFEN	
37						
38						
39						
40						
41						
42						
43						
44						
45						
46						
47						