

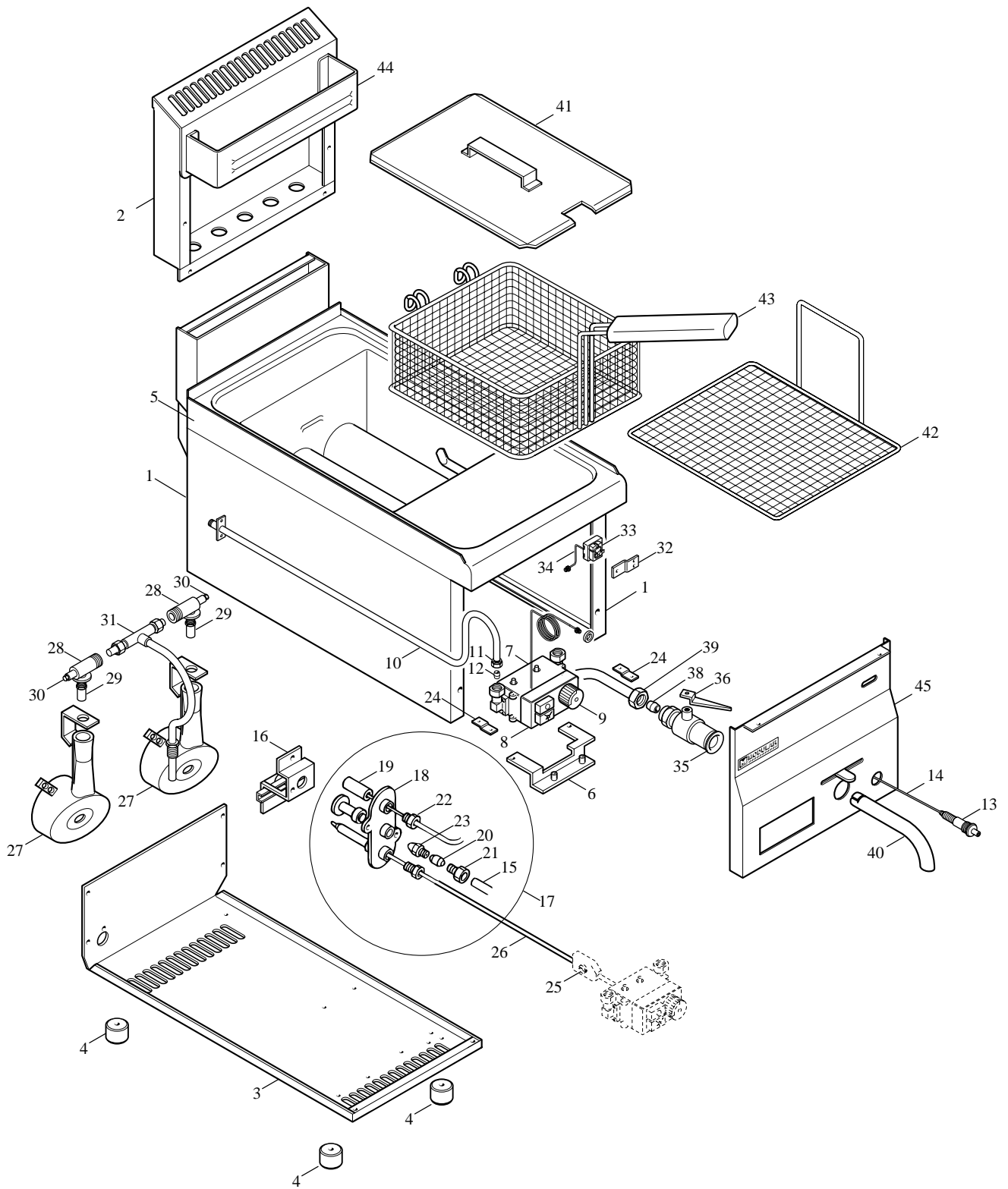
07/2012

Mod: G60/F8-3T

Production code: 60/30 FRG



Diamond
catering equipment



LIST OF SPARE PARTS

code 253.832.00A

| ITEM | CODE | MODIFICATION REF | DESCRIPTION | PRICE |
|------|------------|------------------|---|-------|
| 1 | 621.750.00 | | "6" series top side panel | |
| 2 | 621.751.00 | | "6" series size 30 back panel | |
| 3 | 622.557.00 | | Top base 60/30 | |
| 4 | 651.001.00 | | Foot D.30xH.20 | |
| 5 | 611.766.00 | | Bowl top ass. 60/30 FRG | |
| 6 | 623.401.00 | | Valve support FRG "6" series | |
| 7 | 671.004.00 | | Valve MINISIT S/RP 0710756 | |
| 8 | 671.005.00 | | Plastic lid 0903052 | |
| 9 | 671.006.00 | | Black mini knob 0916124 | |
| 10 | 675.287.00 | | Gas inlet pipe ass. 60/30 FRG | |
| 11 | 673.018.00 | | Fitting for biconical elem. D. 12 3/8 0958025 | |
| 12 | 673.006.00 | | Biconical element D. 12 0957007 | |
| 13 | 672.006.00 | | Piezoelectric lighter | |
| 14 | 666.001.00 | | Ignition cable for piezo lighter 500 L | |
| 15 | 675.294.00 | | Pilot burner duct 60/30 FRG | |
| 16 | 611.370.00 | | Pilot burner support ass. FRG | |
| 17 | 672.026.00 | | 3-way natural gas pilot burner ass. pilota | |
| 17 | 672.027.00 | | 3-way LPG pilot burner ass. pilota | |
| 18 | 672.042.00 | | 3-way pressed pilot burner 0160032 | |
| 19 | 672.028.00 | | Round spark plug D. 4 | |
| 20 | 673.007.00 | | Biconical element D. 4 0957014 | |
| 21 | 673.013.00 | | Biconical element fitting D. 4 0958013 | |
| 22 | 673.014.00 | | Spark plug fitting 0974037 | |
| 23 | 674.051.00 | | Natural gas nozzle 0160 0977119 | |
| 23 | 674.052.00 | | LPG nozzle 0160 0977122 | |
| 24 | 623.002.00 | | Control panel fixing bracket | |
| 25 | 672.020.00 | | Interrupted fitting for thermocouple | |
| 26 | 672.025.00 | | Thermocouple TC 2571/06 M9x1x500 L | |
| 27 | 672.075.00 | | Cylindrical torch burner FRG | |
| 28 | 673.023.00 | | Nozzle holder for pipe D. 10 | |
| 29 | 674.040.00 | | Nozzle D. 145L | |
| 30 | 641.012.00 | | M4 screw for pressure tap | |
| 31 | 675.291.00 | | Burners-valve connecting pipes ass. FRG | |
| 32 | 623.048.00 | | Safety thermostat support for fryer | |
| 33 | 661.021.00 | | Unipolar safety thermostat EGO 55.10542.814 | |
| 34 | 666.004.00 | | Wire for safety thermostat FRG 550 L | |
| 35 | 678.001.00 | | 3/4" G drain cock with lock | |
| 36 | 623.024.00 | | Right lever for cock | |
| 38 | 673.000.00 | | Biconical element D. 18 | |
| 39 | 673.010.00 | | Nut for cock 3/4" G D. 18 | |
| 40 | 631.000.00 | | External drain pipe D. 22 | |

LISTA RICAMBI
cod. 253.832.00 A

| POS. | CODICE | RIF. MODIFICHE | DENOMINAZIONE | PREZZO |
|------|------------|----------------|--|--------|
| 1 | 621.750.00 | | Fianco top serie "6" | |
| 2 | 621.751.00 | | Schienale da 30 serie "6" | |
| 3 | 622.557.00 | | Fondo top 60/30 | |
| 4 | 651.001.00 | | Piedino D.30xH.20 | |
| 5 | 611.766.00 | | Ass. piano vasca 60/30 FRG | |
| 6 | 623.401.00 | | Supporto valvola FRG serie "6" | |
| 7 | 671.004.00 | | Valvola MINISIT S/RP 0710756 | |
| 8 | 671.005.00 | | Coperchio in plastica 0903052 | |
| 9 | 671.006.00 | | Manopola mini nera 0916124 | |
| 10 | 675.287.00 | | Ass. tubo entrata gas 60/30 FRG | |
| 11 | 673.018.00 | | Raccordo per bicono D. 12 3/8 0958025 | |
| 12 | 673.006.00 | | Bicono D. 12 0957007 | |
| 13 | 672.006.00 | | Accenditore piezoelettrico | |
| 14 | 666.001.00 | | Cavo accensione per piezo L. 500 | |
| 15 | 675.294.00 | | Conduttura pilota 60/30 FRG | |
| 16 | 611.370.00 | | Ass. supporto pilota FRG | |
| 17 | 672.026.00 | | Ass. pilota 3 vie metano | |
| 17 | 672.027.00 | | Ass. pilota 3 vie GPL | |
| 18 | 672.042.00 | | Pilota stampato 3 vie 0160032 | |
| 19 | 672.028.00 | | Candela tonda D. 4 | |
| 20 | 673.007.00 | | Bicono D. 4 0957014 | |
| 21 | 673.013.00 | | Raccordo bicono D. 4 0958013 | |
| 22 | 673.014.00 | | Raccordo fissaggio candela 0974037 | |
| 23 | 674.051.00 | | Ugello 0160 metano 0977119 | |
| 23 | 674.052.00 | | Ugello 0160 GPL 0977122 | |
| 24 | 623.002.00 | | Squadretta fissaggio cruscotto | |
| 25 | 672.020.00 | | Raccordo interrotto per termocoppia | |
| 26 | 672.025.00 | | Termocoppia TC 2571/06 M9x1xL. 500 | |
| 27 | 672.075.00 | | Brucciato a torcia cilindrica FRG | |
| 28 | 673.023.00 | | Portaugello per tubo D. 10 | |
| 29 | 674.040.00 | | Ugello D. 145L | |
| 30 | 641.012.00 | | Vite per presa di pressione M4 | |
| 31 | 675.291.00 | | Ass. tubi coll. valvola -bruciatori FRG | |
| 32 | 623.048.00 | | Supporto termostato sicurezza per frigg. | |
| 33 | 661.021.00 | | Termostato sic. unip. EGO 55.10542.814 | |
| 34 | 666.004.00 | | Cavetto per termostato sicurezza FRG L.550 | |
| 35 | 678.001.00 | | Rubinetto scarico 3/4" G con blocco | |
| 36 | 623.024.00 | | Leva destra per rubinetto | |
| 38 | 673.000.00 | | Bicono D. 18 | |
| 39 | 673.010.00 | | Dado per rubinetto 3/4" G D. 18 | |
| 40 | 631.000.00 | | Tubo scarico esterno D. 22 | |

