

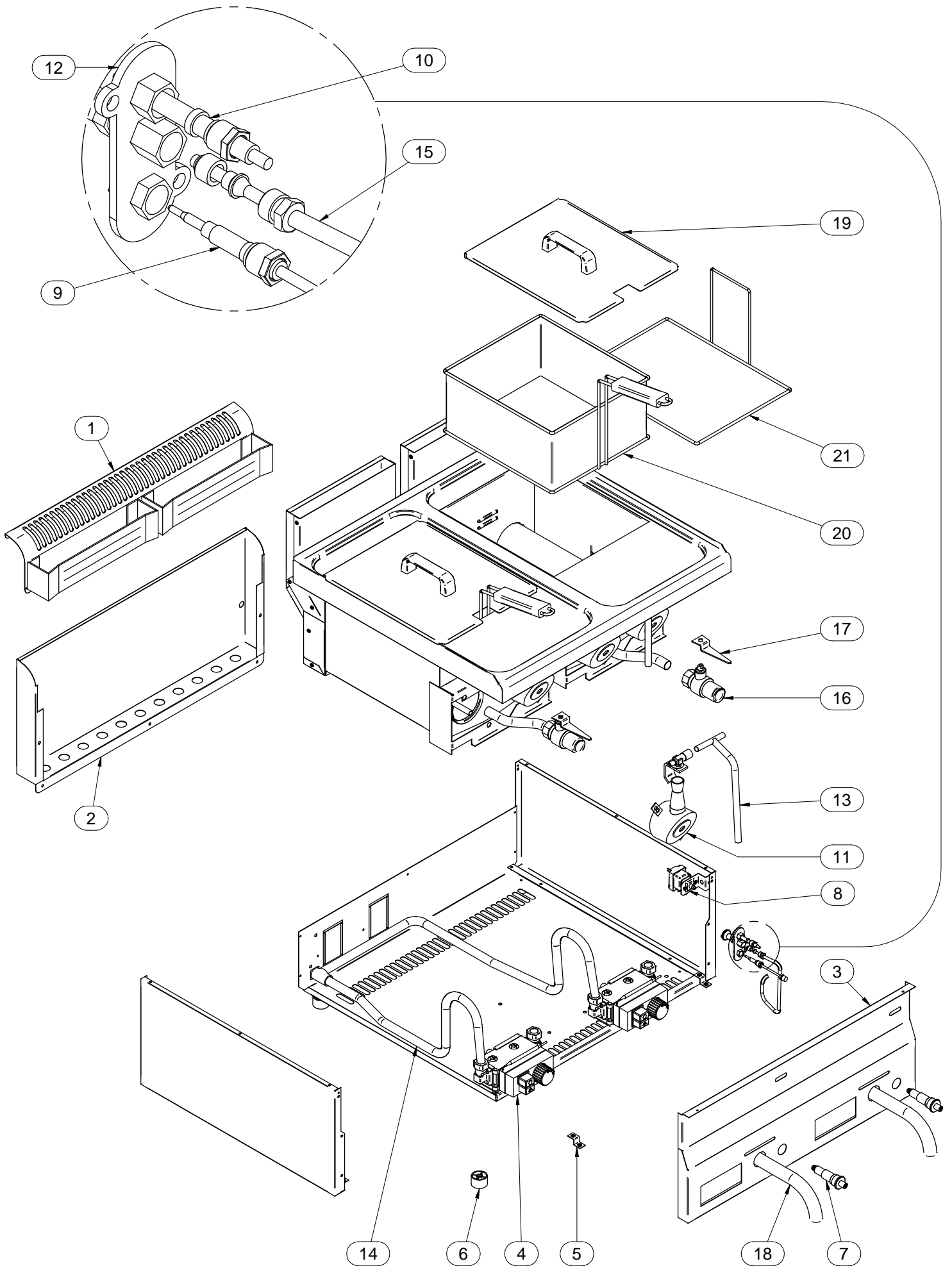
06/2013

Mod: G60/F16-6T

Production code: 60/60 FRG



Diamond
catering equipment



Modello Type:	60/60 FRG				cod. / num. 2531457.00	
					data / date: 21/06/2013	
POS. ITEM	CODICE CODE	DESCRIZIONE	DESCRIPTION	DENOMINATION	BENENNUNG	NOTE / NOTES
1	6111090.00	ALZATINA	UPSTAND	DOSSERET	AUFKANTUNG	
2	6211267.00	PANNELLO POSTERIORE	BACK PANEL	PANNEAU POSTERIEUR	HINTERBRETT	
3	256.099.00	CRUSCOTTO	CONTROL PANEL	BANDEAU	BEDIENBLLENDE	
4	256.073.00	VALVOLA	VALVE	SOUPAPE	VENTIL	
5	256.002.00	STAFFA FISSAGGIO CRUSCOTTO	CONTROL PANEL FIXING BRACKET	EQUERRE FIXATION BANDEAU	BEFESTIGUNGSWINKEL BEDIENBLLENDE	
6	651.001.00	PIEDINO	FOOT	PIED	STELLFUSS	FROM - 01/1999 TO - 05/2013
	651.001.13	PIEDINO	FOOT	PIED	STELLFUSS	FROM - 06/2013 TO -
7	672.006.00	ACCENDITORE PIEZO	PIEZO LIGHTER	ALLUMEUR PIEZO	PIEZOZÜNDER	
8	661.021.00	TERMOSTATO SICUREZZA	SAFETY THERMOSTAT	THERMOSTAT DE SECURITE	TEMPERATURBEGRENZER	
9	256.074.00	TERMOCOPPIA	THERMOCOUPLE	THERMOCOUPLE	THERMOELEMENT	
10	256.017.00	CANDELA ACCENSIONE	IGNITION ELECTRODE	BOUGIE D'ALLUMAGE	KERZE SCHNELLBRENNER	
11	672.075.00	BRUCIATORE	BURNER	BRULEUR	BRENNER	
12	256.071.00	GRUPPO PILOTA	PILOT GROUP	GROUPE VEILLEUSE	ZÜNDBRENNER GRUPPE	
13	256.072.00	TUBO GAS	GAS PIPE	TUBE GAZ	GASROHR	
14	256.100.00	TUBO GAS	GAS PIPE	TUBE GAZ	GASROHR	
15	256.070.00	TUBO GAS	GAS PIPE	TUBE GAZ	GASROHR	
16	256.047.00	RUBINETTO	TAP	ROBINET	WASSERHAHN	
17	623.024.00	LEVA RUBINETTO	TAP LEVER	LEVIER ROBINET	HAHNHEBEL	
18	631.000.00	SCARICO	DRAIN	VIDANGE	ABLAUF	
19	611.091.00	COPERCHIO	LID	COUVERCLE	DECKEL	

Modello Type:	60/60 FRG				cod. / num. 2531457.00	
					data / date: 21/06/2013	
POS. ITEM	CODICE CODE	DESCRIZIONE	DESCRIPTION	DENOMINATION	BENENNUNG	NOTE / NOTES
20	683.011.00	CESTELLO	BASKET	PANIER	KORB	
21	683.010.00	FILTRO	FILTER	FILTER	FILTER	
22						
23						
24						
25						
26						
27						
28						
29						
30						
31						
32						
33						
34						
35						
36						
37						
38						
39						