

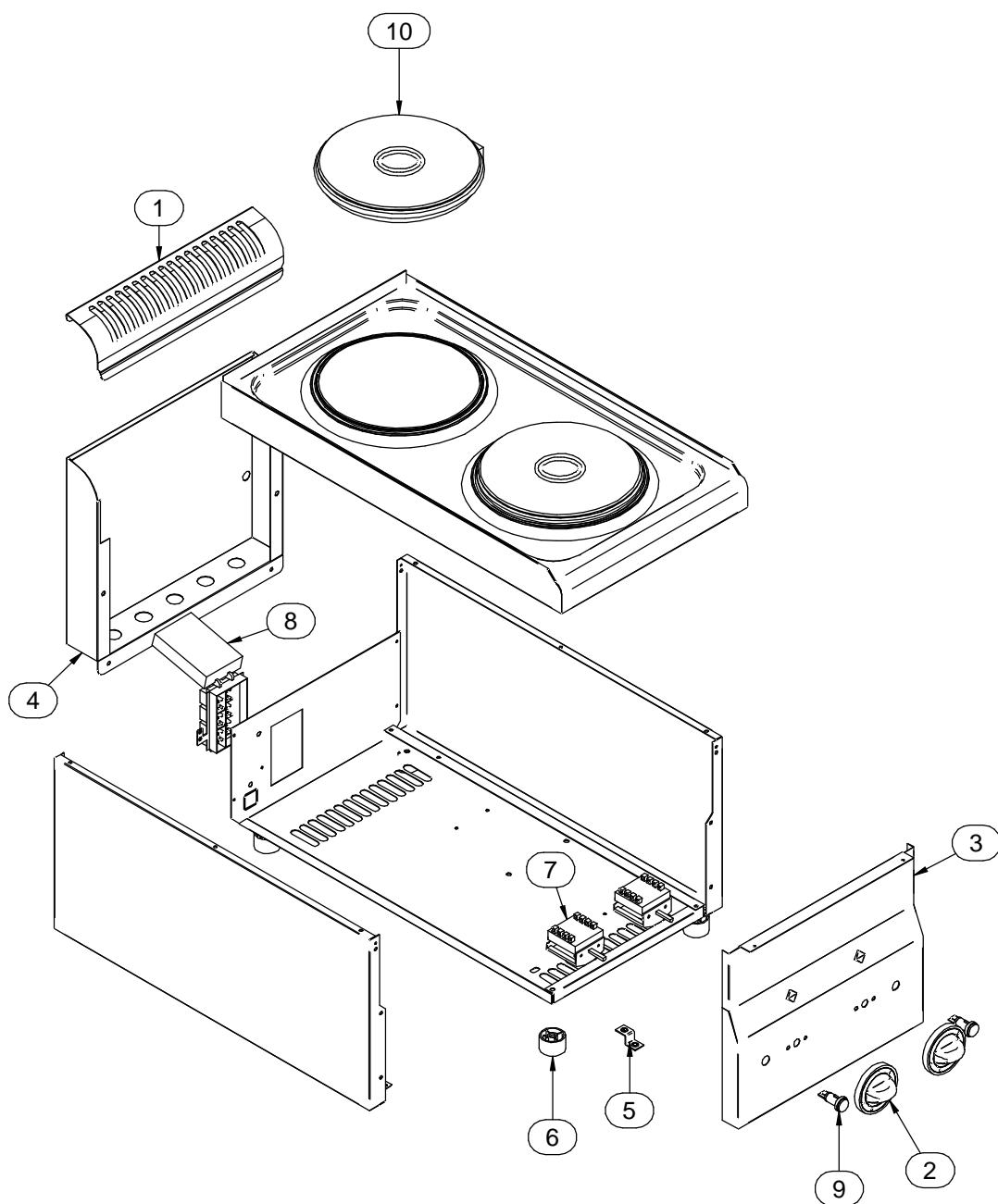
05/2013

# **Mod: E60/2P3T**

**Production code: 60/30 PCE**



**Diamond**  
catering equipment



Modello Type:	<b>60/30 PCE2/P</b>				cod. / num. <b>2531368.00</b>	
					data / date: <b>21/05/2013</b>	
POS. ITEM	CODICE CODE	DESCRIZIONE	DESCRIPTION	DENOMINATION	BENENNUNG	NOTE / NOTES
1	6111091.00	ALZATINA	UPSTAND	DOSSERET	AUFKANTUNG	
2	612.070.00	MANOPOLA	KNOB	BOUTON	DREHKNOPF	
3	256.043.00	CRUSCOTTO	CONTROL PANEL	BANDEAU	BEDIENBLLENDE	
4	6211266.00	PANNELLO POSTERIORE	BACK PANEL	PANNEAU POSTERIEUR	HINTERBRETT	
5	256.002.00	STAFFA FISSAGGIO CRUSCOTTO	CONTROL PANEL FIXING BRACKET	EQUERRE FIXATION BANDEAU	BEFESTIGUNGSWINKEL BEDIENBLLENDE	
6	651.001.00	PIEDINO	FOOT	PIED	STELLFUSS	
7	661.002.00	COMMUTATORE	CHANGE-OVER SWITCH	COMMUTATEUR	UMSCHALTER	
8	663.040.00	MORSETTIERA	TERMINAL BOARD	BORNES	KLEMMENBRETT	
9	663.043.00	SPIA VERDE	GREEN INDICATOR LIGHT	LAMPE TEMOIN VERTE	GRUENE KONTROLLAMPE	
10	665.094.00	PIASTRA ELETTRICA	ELECTRIC PLATE	PLAQUE ELECTRIQUE	ELEKTROKOCHPLATTE	
11						
12						
13						
14						
15						
16						
17						
18						
19						
20						