

06/2013

Mod: NT22/G-(230/1)

Production code: P011F01009 (IFM22)



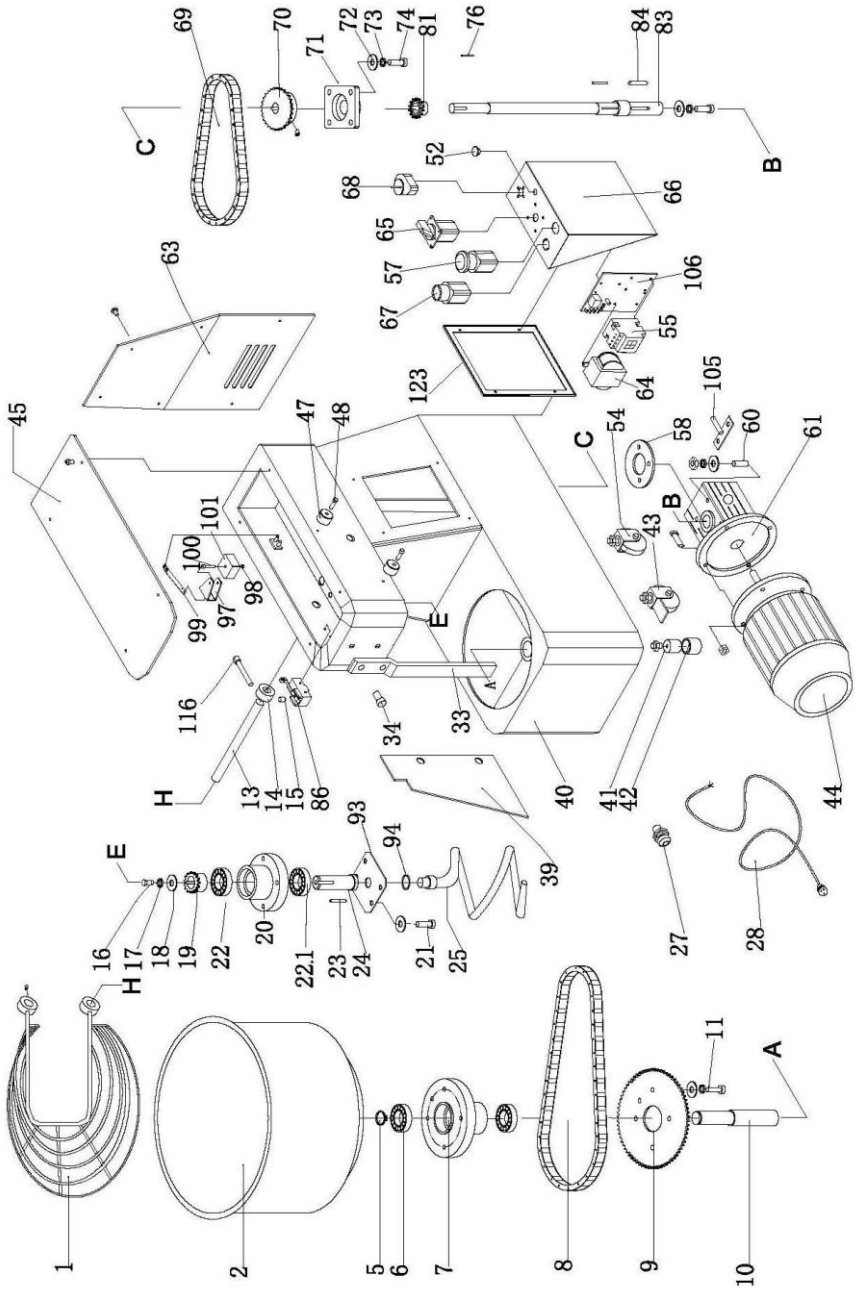
Diamond
catering equipment



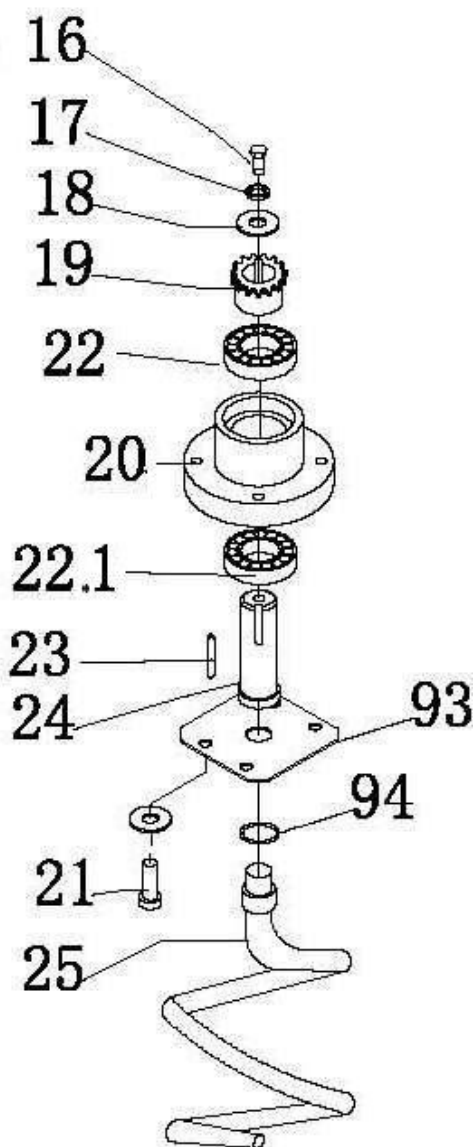
KNEADING MACHINE



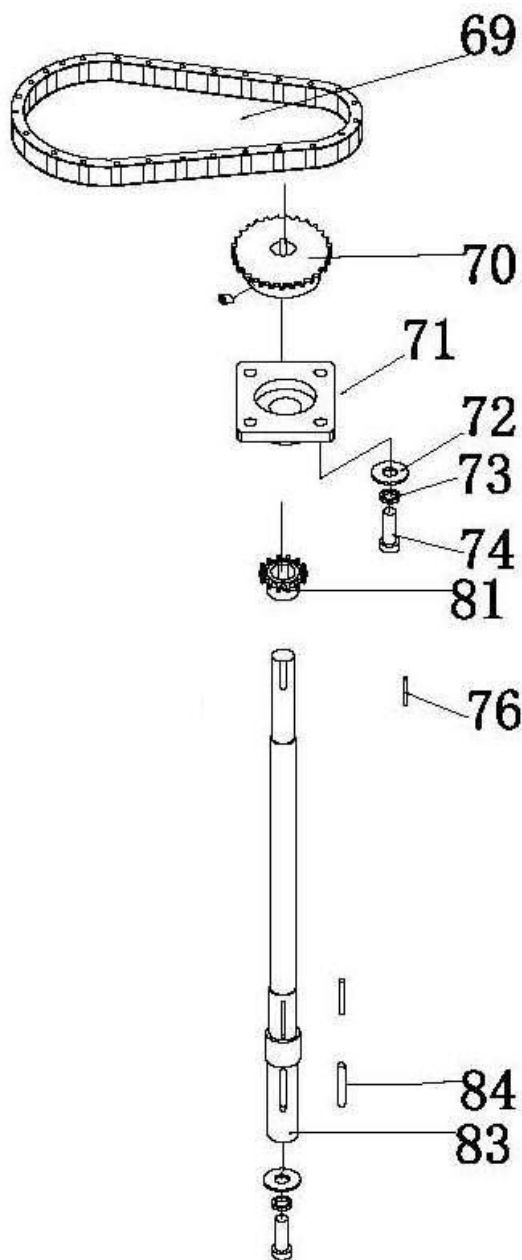
IFM22÷NT22/G-(230/1) ÷IFM33÷NT33/G-(230/1)



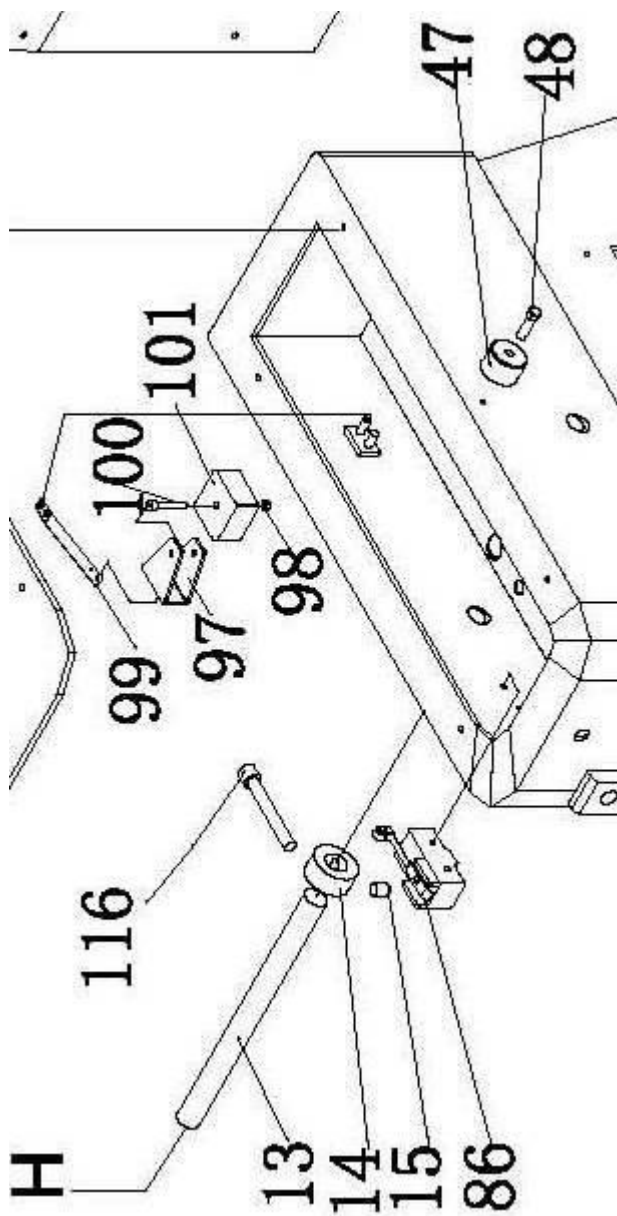
IF17-IF22-IF33-IF42-IF53-IFM17-IFM22-IFM33



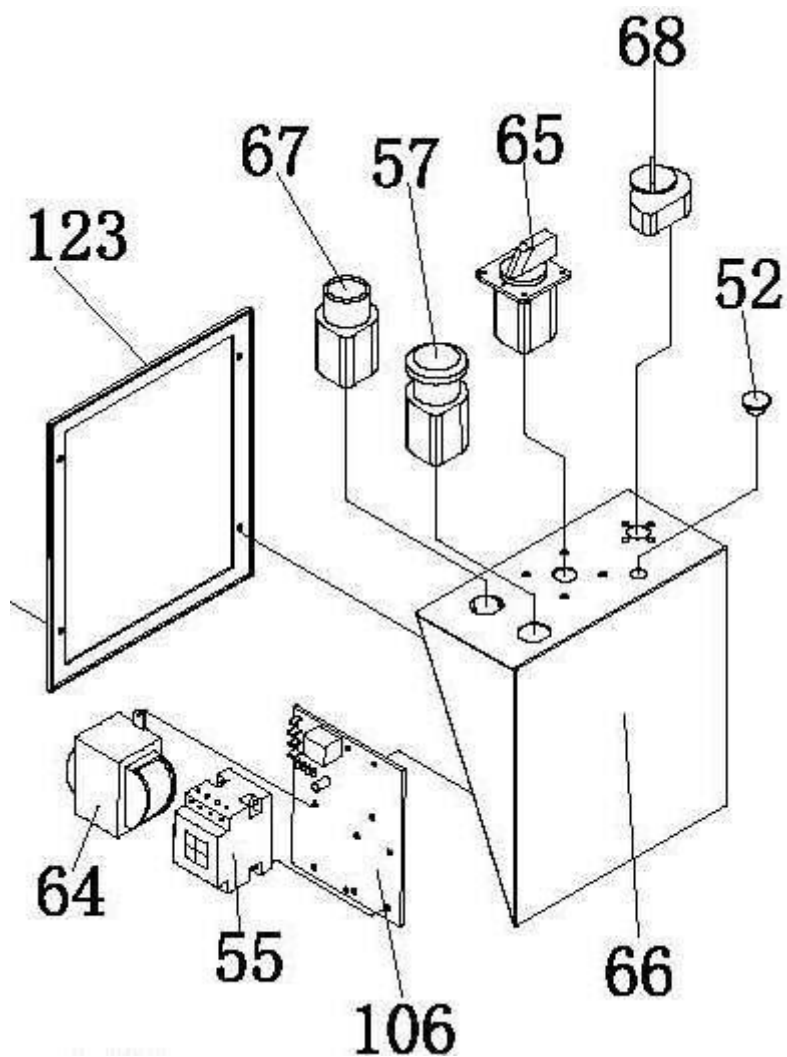
IF17-IF22-IF33-IF42-IF53-IFM17-IFM22-IFM33



IF17-IF22-IF33-IF42-IF53-IFM17-IFM22-IFM33



IF17-IF22-IF33-IF42-IF53-IFM17-IFM22-IFM33



IF17-IF22-IF33-IF42-IF53-IFM17-IFM22-IFM33
IR17 - IR22 - IR33 - IR42 - IR53 - IRM17 - IRM22

	IF17	IF22	IF33	IF42	IF53
POS					
1	A96ZE00007	A96ZE00008	A96ZE00009	A96ZE00010	A96ZE00011
2	A96ZV00015	A96ZV00016	A96ZV00017	A96ZV00018	A96ZV00019
3					
4					
5	A96ZD00001	A96ZD00001	A96ZD00001	A96ZD00001	A96ZD00001
6	A89CK00010	A89CK00010	A89CK00010	A89CK00010	A89CK00010
7	A96ZV00025	A96ZV00025	A96ZV00025	A96ZV00025	A96ZV00025
8	S14MT67007	S14MT67007	S14MT67008	S14MT67008	S14MT67008
9	A96ZR00004	A96ZR00004	A96ZR00005	A96ZR00005	A96ZR00005
10	A96ZI00013	A96ZI00013	A96ZI00013	A96ZI00013	A96ZI00013
11	A86ME24115	A86ME24115	A86ME24115	A86ME24115	A86ME24115
12					
13	A96ZI00014	A96ZI00014	S63FS67001	S63FS67001	S63FS67001
14	A96ZE00012	A96ZE00012	A96ZE00012	A96ZE00012	A96ZE00012
15	A86ME32013	A86ME32013	A86ME32013	A86ME32013	A86ME32013
16	A86ME24116	A86ME24116	A86ME24116	A86ME24116	A86ME24116
17	A86ME26024	A86ME26024	A86ME26024	A86ME26024	A86ME26024
18	A86ME26025	A86ME26025	A86ME26025	A86ME26025	A86ME26025
19	A96ZH00006	A96ZH00006	A96ZH00007	A96ZH00007	A96ZH00007
20	A96ZS00006	A96ZS00006	A96ZS00007	A96ZS00007	A96ZS00007
21	A86ME24114	A86ME24114	A86ME24114	A86ME24114	A86ME24114
22	A89CK00010	A89CK00010	A89CK00010	A89CK00010	A89CK00010
22.1	A89CK00010	A89CK00010	A89CK00011	A89CK00011	A89CK00011
23	A86ME36008	A86ME36008	A86ME36009	A86ME36009	A86ME36009
24	A96ZI00015	A96ZI00015	A96ZI00016	A96ZI00016	A96ZI00016
25	A96ZS00004	A96ZS00004	A96ZS00005	A96ZS00005	A96ZS00017
26					
27	A96ZN00025	A96ZN00025	A96ZN00025	A96ZN00025	A96ZN00025
28	A96ZN00026	A96ZN00026	A96ZN00026	A96ZN00026	A96ZN00026
31					
32					
33	A96ZA00001	A96ZA00001	A96ZA00002	A96ZA00003	A96ZA00004
34	A86ME24117	A86ME24117	A86ME24117	A86ME24117	A86ME24117
35					
36					
37					
38					
39	A96ZB00006	A96ZB00006	A96ZB00007	A96ZB00007	A96ZB00007
40	-----	-----	-----	-----	-----
41	A96ZF00011	A96ZF00011	A96ZF00011	A96ZF00011	A96ZF00011
42	A96ZF00019	A96ZF00019	A96ZF00019	A96ZF00019	A96ZF00019
43	A96ZG00003	A96ZG00003	A96ZG00003	A96ZG00003	A96ZG00003
44	A87MR56010	A87MR56010	A96ZJ00024	A96ZJ00024	A96ZJ00024
45	A96ZC00002	A96ZC00002	A96ZC00004	A96ZC00004	A96ZC00004
46					
47	A96ZD00002	A96ZD00002	A96ZD00002	A96ZD00002	A96ZD00002
48	A86ME24119	A86ME24119	A86ME24119	A86ME24119	A86ME24119
49					
50					
51					
52	A96ZF00007	A96ZF00007	A96ZF00007	A96ZF00007	A96ZF00007
54	A96ZG00004	A96ZG00004	A96ZG00004	A96ZG00004	A96ZG00004

55	A96ZN00064	A96ZN00064	A96ZN00064	A96ZN00064	A96ZN00064
57	A96ZN00031	A96ZN00031	A96ZN00031	A96ZN00031	A96ZN00031
58	A96ZL00010	A96ZL00010	A96ZL00018	A96ZL00011	A96ZL00011
60	A86ME32014	A86ME32014	A86ME32014	A86ME32014	A86ME32014
61	A96ZL00008	A96ZL00008	A96ZL00015	A96ZL00015	A96ZL00015
62	A86ME24118	A86ME24118	A86ME24118	A86ME24118	A86ME24118
63	A96ZC00007	A96ZC00007	A96ZC00008	A96ZC00008	A96ZC00008
64	A96ZN00039	A96ZN00039	A96ZN00039	A96ZN00039	A96ZN00039
65	A96ZN00037	A96ZN00037	A96ZN00037	A96ZN00037	A96ZN00037
66	A96ZC00013	A96ZC00013	A96ZC00014	A96ZC00014	A96ZC00014
67	A96ZN00032	A96ZN00032	A96ZN00032	A96ZN00032	A96ZN00032
68	A96ZM00002	A96ZM00002	A96ZM00002	A96ZM00002	A96ZM00002
69	S14MT67001	S14MT67006	S14MT67002	S14MT67003	S14MT67017
70	A96ZH00010	A96ZH00010	A96ZH00011	A96ZH00011	A96ZH00011
71	A96ZI00024	A96ZI00024	A96ZI00025	A96ZI00025	A96ZI00025
72	A86ME26027	A86ME26027	A86ME26027	A86ME26027	A86ME26027
73	A86ME26026	A86ME26026	A86ME26026	A86ME26026	A86ME26026
74	A86ME24120	A86ME24120	A86ME24120	A86ME24120	A86ME24120
75					
76	A86ME36006	A86ME36006	A86ME36006	A86ME36006	A86ME36006
77					
78					
79					
80					
81	A96ZH00008	A96ZH00008	A96ZH00009	A96ZH00009	A96ZH00009
82					
83	A96ZI00030	A96ZI00030	S63TR67002	A96ZI00031	A96ZI00031
84	A86ME36007	A86ME36007	A86ME36007	A86ME36007	A86ME36007
85					
86	A96ZN00030	A96ZN00030	A96ZN00030	A96ZN00030	A96ZN00030
92					
93	S42PL00002	S42PL00002	A96ZS00009	A96ZS00009	A96ZS00009
94	A96ZD00003	A96ZD00003	A96ZD00003	A96ZD00003	A96ZD00003
95					
96					
97	A96ZN00053	A96ZN00053	A96ZN00053	A96ZN00053	A96ZN00053
98	A86ME25018	A86ME25018	A86ME25018	A86ME25018	A86ME25018
99	A96ZN00052	A96ZN00052	A96ZN00052	A96ZN00052	A96ZN00052
100	A86ME24122	A86ME24122	A86ME24122	A86ME24122	A86ME24122
101	A96ZN00054	A96ZN00054	A96ZN00054	A96ZN00054	A96ZN00054
102					
103					
104					
105	A96ZV00027	A96ZV00027	A96ZV00027	A96ZV00028	A96ZV00028
106	A96ZN00060	A96ZN00060	A96ZN00060	A96ZN00060	A96ZN00060
116	A96ZF00002	A96ZF00002	A96ZF00002	A96ZF00002	A96ZF00002
123	A96ZF00013	A96ZF00013	A96ZF00014	A96ZF00014	A96ZF00014
POS.	IFM17	IFM22	IFM33	IFM42	IFM53
28	A96ZN00047	A96ZN00047	A96ZN00047	A96ZN00047	A96ZN00047
44	A96ZJ00026	A96ZJ00026	A96ZJ00039		
65	A96ZN00043	A96ZN00043	A96ZN00043	A96ZN00043	A96ZN00043

TECHNICAL DATA IF ÷ IR ÷ IFM ÷ IRM

Model	Power		Voltage	Machine dimensions	Weight	Dough weight	Bowl capacity	Mixing time	Bowl dimension ø x h
	kW	Hp							
IFM7	0,30	0,40	230	25x50x51	41	6	7	24	24x16
IFM10	0,37	0,50	230	27x54x56	48	8	10	30	26x20
IFM15	0,45	0,50	230	32x59x57	50	10	15	40	30x21
IFM17	0,9	1,2	230	35x66x63	79	12	17	48	32x21
IFM22	0,9	1,2	230	40x69x63	82	18	22	70	35x21
IFM33	1,3	1,7	230	44x83x72	110	25	33	100	40x26