

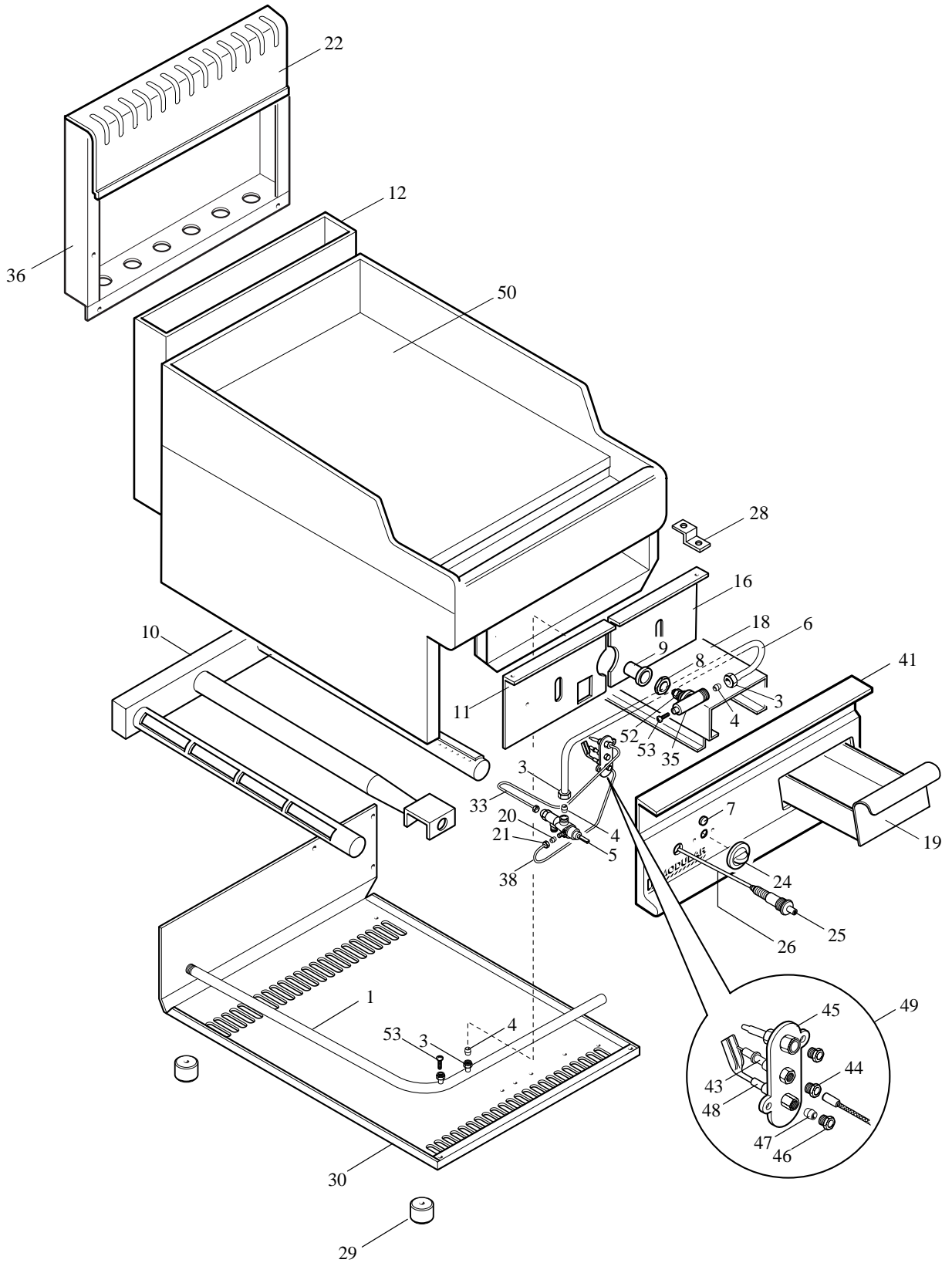
05/2002

Mod: G65/PL4T

Production code: 65/40 FTG



Diamond
catering equipment



LIST OF SPARE PARTS
code 253.013.00A

GAS FRY TOPS

ED. 01-99

G65/PL4T

ITEM	CODE	MODIFICATION REF	DESCRIPTION	PRICE
1	675.014.00		FT 40 shaft pipe ass.	
3	673.011.00		Nut for biconical element D.10	
4	673.001.00		Biconical element D.10	
5	671.001.00		PEL 21S safety cock	
6	675.018.00		Burner cock connection	
7	682.003.00		Index plate	
8	673.024.00		M14x1 nut for nozzle holder	
9	672.023.00		D.14x1 air regulating bush	
10	672.029.00		FTG burner assembly	
11	622.096.00		Front left wall comb. chamber FTG	
12	611.123.00		Combustion chamber assembly FTG 40	
16	622.097.00		Front right wall comb. chamber FTG	
18	622.008.00		Fry-top drawer support	
19	611.007.00		FT drawer assembly	
20	673.004.00		Biconical element D.4	
21	673.013.00		Fitting for biconical element D.4	
22	611.003.00		FT40 rear upstand ass.	
24	612.001.00		Gas pilot burner knob OD 62	
25	672.006.00		Piezoelectric lighter	
26	666.001.00		500 L ignition cable	
28	623.002.00		Control panel fixing bracket	
29	651.001.00		D.30xH.20 foot	
30	622.004.00		Gas top base 40	
33	672.001.00		M9x1 Target 500 L thermocouple	
35	673.023.00		Nozzle holder for pipe D. 10	
36	621.027.00		Back panel 40	
38	675.032.00		Left pilot burner connection	
41	611.066.00		FTG40 control panel ass.	
43	672.015.00		M4 Target spark plug	
44	673.014.00		Spark plug fitting	
45	672.014.00		Target pilot burner body	
46	673.013.00		Fitting for biconical element D.4	
47	673.003.00		D.4 Target biconical element	
48	674.000.00		Target NATURAL GAS nozzle	
48	674.001.00		Target LPG nozzle	
49	672.013.00		Pilot burner ass. for NATURAL GAS	
49	672.017.00		Pilot burner ass. for LPG	
50	611.106.00		Top-plain griddle-sides assembly 40	
50	611.107.00		Top-scored griddle-sides assembly 40	
52	674.005.00		Nozzle D. 120	
52	674.032.00		Nozzle D. 185	

LISTA RICAMBI
cod. 253.013.00 A

G65/PL4T

POS.	CODICE	RIF.MODIFICHE	DENOMINAZIONE	PREZZO
1	675.014.00		Assieme tubo rampa FT 40	
3	673.011.00		Dado per bicono D.10	
4	673.001.00		Bicono D.10	
5	671.001.00		Rubinetto in sicurezza PEL 21S	
6	675.018.00		Collegamento rubinetto bruciatore	
7	682.003.00		Placchetta per indice	
8	673.024.00		Dado M14x1 per portaugello	
9	672.023.00		Boccola regolazione aria D. 14x1	
10	672.029.00		Assieme bruciatore FTG	
11	622.096.00		Parete anteriore sx camera di comb.FTG	
12	611.123.00		Assieme camera di combustione FTG 40	
16	622.097.00		Parete anteriore dx camera di comb. FTG	
18	622.008.00		Supporto cassetto fry-top	
19	611.007.00		Assieme cassetto FT	
20	673.004.00		Bicono D.4	
21	673.013.00		Raccordo per bicono D.4	
22	611.003.00		Assieme alzatina posteriore FT40	
24	612.001.00		Manopola gas pilota De 62	
25	672.006.00		Accenditore piezo	
26	666.001.00		Cavo per accensione L.500	
28	623.002.00		Squadretta fissaggio cruscotto	
29	651.001.00		Piedino D.30xH.20	
30	622.004.00		Fondo top 40 gas	
33	672.001.00		Termocoppia M9x1 Target L. 500	
35	673.023.00		Portaugello per tubo D. 10	
36	621.027.00		Schienale 40	
38	675.032.00		Collegamento pilota sx	
41	611.066.00		Assieme cruscotto FTG40	
43	672.015.00		Candela M4 Target	
44	673.014.00		Raccordo fissaggio candela	
45	672.014.00		Corpo pilota Target	
46	673.013.00		Raccordo per bicono D.4	
47	673.003.00		Bicono D.4 Target	
48	674.000.00		Ugello Target METANO	
48	674.001.00		Ugello Target GPL	
49	672.013.00		Assieme pilota per METANO	
49	672.017.00		Assieme pilota per GPL	
50	611.106.00		Assieme piano -piastra liscia-fianchi 40	
50	611.107.00		Assieme piano -piastra rigata-fianchi 40	
52	674.005.00		Ugello D. 120	
52	674.032.00		Ugello D. 185	

