

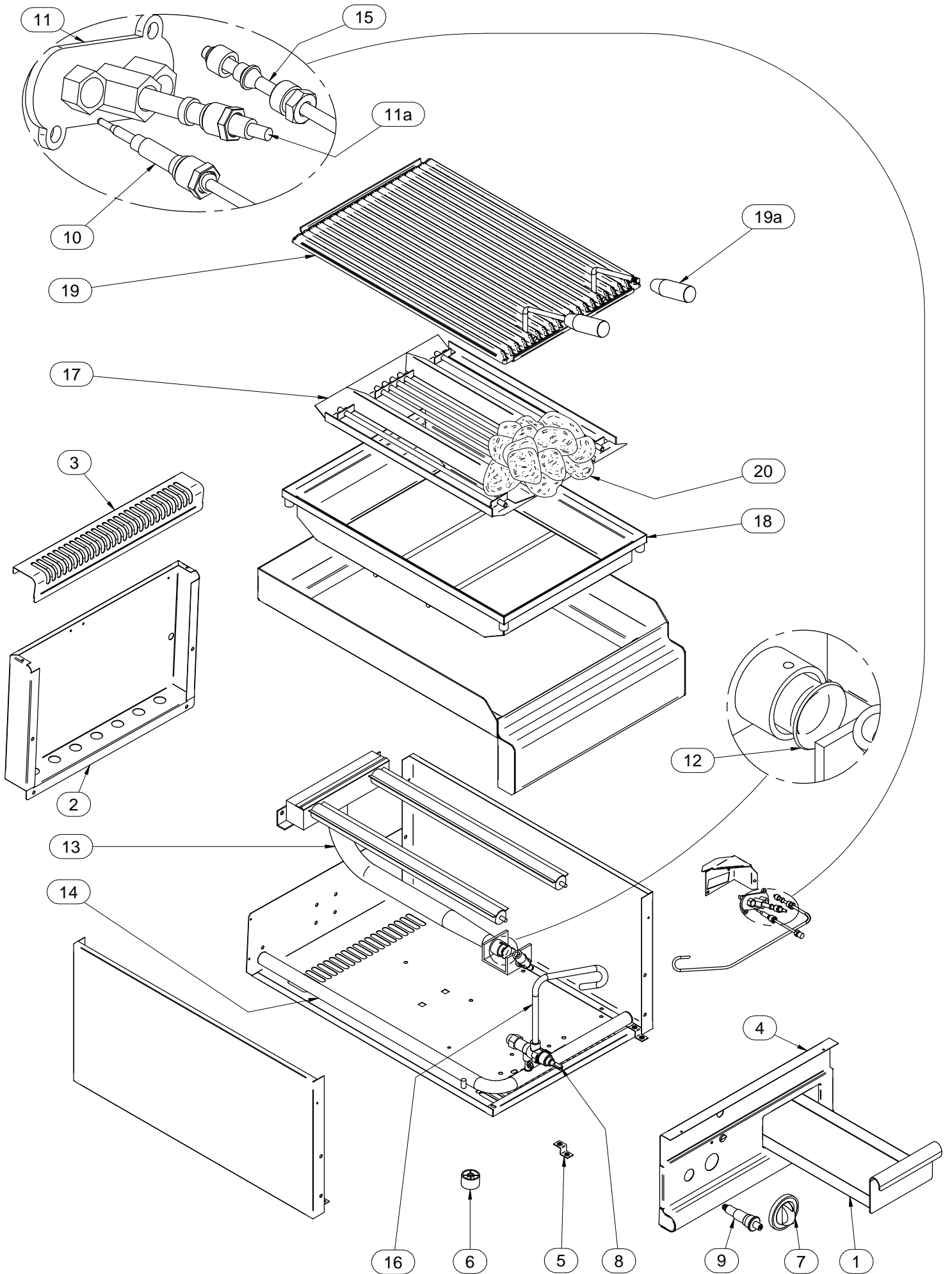
05/2006

Mod: G65/GPL4T

Production code: 65/40 GRL



Diamond
catering equipment



| Modello Type: | 65/40 GRL | | | | cod. / num. 2531496.00 | |
|------------------|------------------|----------------------------|------------------------------|--------------------------|-------------------------------------|-----------------------------|
| | | | | | data / date: 18/07/2013 | |
| POS. ITEM | CODICE CODE | DESCRIZIONE | DESCRIPTION | DENOMINATION | BENENNUNG | NOTE / NOTES |
| 1 | 611.529.00 | CASSETTO | DRAWER | TIROIR | SCHUBLADE | |
| 2 | 621.027.00 | PANNELLO POSTERIORE | BACK PANEL | PANNEAU POSTERIEUR | HINTERBRETT | |
| 3 | 611.003.00 | ALZATINA | UPSTAND | DOSSERET | AUFKANTUNG | |
| 4 | 256.120.00 | CRUSCOTTO | CONTROL PANEL | BANDEAU | BEDIENBLLENDE | |
| 5 | 256.002.00 | STAFFA FISSAGGIO CRUSCOTTO | CONTROL PANEL FIXING BRACKET | EQUERRE FIXATION BANDEAU | BEFESTIGUNGSWINKEL BEDIENBLLENDE | |
| 6 | 651.001.00 | PIEDINO | FOOT | PIED | STELLFUSS | FROM - 01/1999 TO - 05/2013 |
| | 651.001.13 | PIEDINO | FOOT | PIED | STELLFUSS | FROM - 06/2013 TO - |
| 7 | 612.067.00 | MANOPOLA | KNOB | BOUTON | DREHKNOFF | |
| 8 | 671.001.00 | RUBINETTO GAS | GAS TAP | ROBINET GAZ | GASHAHN | |
| 9 | 672.006.00 | ACCENDITORE PIEZO | PIEZO LIGHTER | ALLUMEUR PIEZO | PIEZOZÜNDER | |
| 10 | 672.001.00 | TERMOCOPPIA | THERMOCOUPLE | THERMOCOUPLE | THERMOELEMENT | |
| 11 | 256.139.00 | GRUPPO PILOTA | PILOT GROUP | GROUPE VEILLEUSE | ZÜNDBRENNER GRUPPE | |
| 11a | 256.060.00 | CANDELA ACCENSIONE | IGNITION ELECTRODE | BOUGIE D'ALLUMAGE | KERZE SCHNELLBRENNER | |
| 12 | 672.021.00 | BOCCOLA REGOLAZIONE ARIA | AIR REGULATION BUSHING | BAGUE DE RÉGULATION AIR | LUFTREGLERBÜCHSE | |
| 13 | 672.052.00 | BRUCIATORE | BURNER | BRULEUR | BRENNER | |
| 14 | 675.014.00 | TUBO GAS | GAS PIPE | TUBE GAZ | GASROHR | |
| 15 | 256.145.00 | TUBO GAS | GAS PIPE | TUBE GAZ | GASROHR | |
| 16 | 256.146.00 | TUBO GAS | GAS PIPE | TUBE GAZ | GASROHR | |
| 17 | 811.212.00 | GRIGLIA | GRILL | GRILLE | ROST | |
| 18 | 611.336.00 | REGGIGRIGLIA | TRAY RACK | PORTE-PLAQUES | EINHÄNGEGESTELL | |

| Modello Type: | 65/40 GRL | | | | cod. / num. 2531496.00 | |
|------------------|------------------|---------------|-------------|---------------|--------------------------------|--------------|
| | | | | | data / date: 18/07/2013 | |
| POS. ITEM | CODICE CODE | DESCRIZIONE | DESCRIPTION | DENOMINATION | BENENNUNG | NOTE / NOTES |
| 19 | 256.144.00 | GRIGLIA | GRILL | GRILLE | ROST | |
| 19a | 651.012.00 | MANOPOLA | KNOB | BOUTON | DREHKNOFF | |
| 20 | 9032277.40 | PIETRA LAVICA | LAVA ROCK | ROCHE LAVIQUE | LAVASTEIN | |
| 21 | | | | | | |
| 22 | | | | | | |
| 23 | | | | | | |
| 24 | | | | | | |
| 25 | | | | | | |
| 26 | | | | | | |
| 27 | | | | | | |
| 28 | | | | | | |
| 29 | | | | | | |
| 30 | | | | | | |
| 31 | | | | | | |
| 32 | | | | | | |
| 33 | | | | | | |
| 34 | | | | | | |
| 35 | | | | | | |
| 36 | | | | | | |
| 37 | | | | | | |