

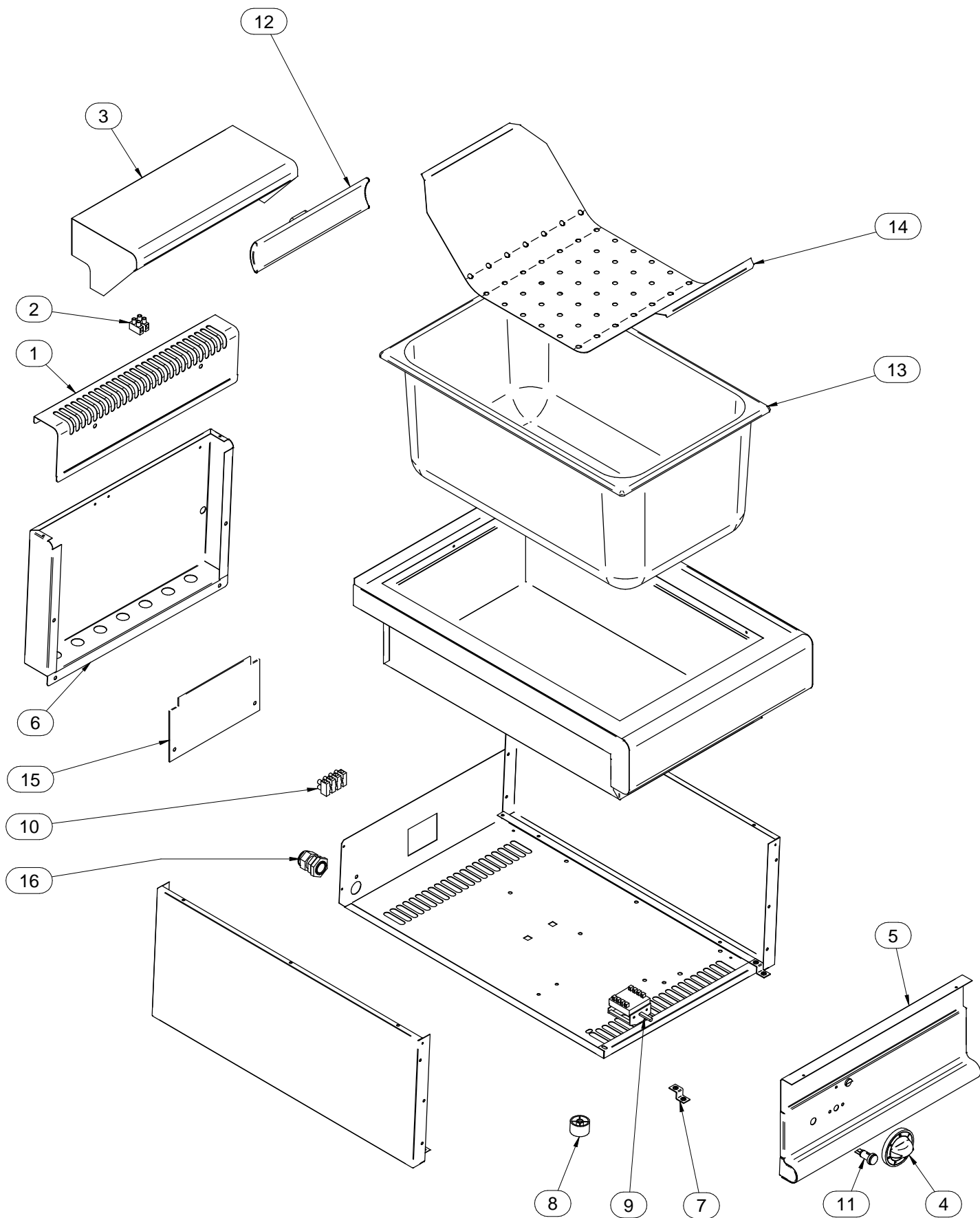
07/2013

Mod: E65/SF4T

Production code: 65/40 SPE



Diamond
catering equipment



Modello Type:	65/40 SPE				cod. / num. 2531490.00	
					data / date: 16/07/2013	
POS. ITEM	CODICE CODE	DESCRIZIONE	DESCRIPTION	DENOMINATION	BENENNUNG	NOTE / NOTES
1	611.001.00	ALZATINA	UPSTAND	DOSSERET	AUFKANTUNG	
2	663.003.00	MORSETTIERA	TERMINAL BOARD	BORNES	KLEMMENBRETT	
3	611.136.00	SUPPORTO RESISTENZE	HEATING ELEMENTS SUPPORT	SUPPORT ÉLÉMENTS CHAUFFANTS	HEIZELEMENTE TRÄGER	
4	612.074.00	MANOPOLA	KNOB	BOUTON	DREHKNOPF	
5	256.137.00	CRUSCOTTO	CONTROL PANEL	BANDEAU	BEDIENBLLENDE	
6	621.027.00	PANNELLO POSTERIORE	BACK PANEL	PANNEAU POSTERIEUR	HINTERBRETT	
7	256.002.00	STAFFA FISSAGGIO CRUSCOTTO	CONTROL PANEL FIXING BRACKET	EQUERRE FIXATION BANDEAU	BEFESTIGUNGSWINKEL BEDIENBLLENDE	
8	651.001.00	PIEDINO	FOOT	PIED	STELLFUSS	FROM - 01/1999 TO - 05/2013
	651001.13	PIEDINO	FOOT	PIED	STELLFUSS	FROM - 06/2013 TO -
9	661.000.00	COMMUTATORE	CHANGE-OVER SWITCH	COMMUTATEUR	UMSCHALTER	
10	663.018.00	MORSETTIERA	TERMINAL BOARD	BORNES	KLEMMENBRETT	
11	663.043.00	SPIA VERDE	GREEN INDICATOR LIGHT	LAMPE TEMOIN VERTE	GRUENE KONTROLLAMPE	
12	665.010.00	RESISTENZA	HEATING ELEMENT	RESISTANCE	HEIZKOERPER	
13	600.970.40	BACINELLA	CONTAINER	BAC	BEHÄLTER	
14	621.159.00	FALSO FONDO	FALSE BOTTOM	FAUX-FOND	ABTROPFPLATTE	
15	623.006.00	COPERCHIO MORSETTIERA	TERMINAL BOARD COVER	COUVERCLE BORNE	DECKEL DES KLEMMENBRETTS	
16	256.138.00	PRESSACAVO	CABLE GLAND	PRESSE-ÉTOUPE	KABELVERSCHRAUBUNG	
17						
18						
19						