

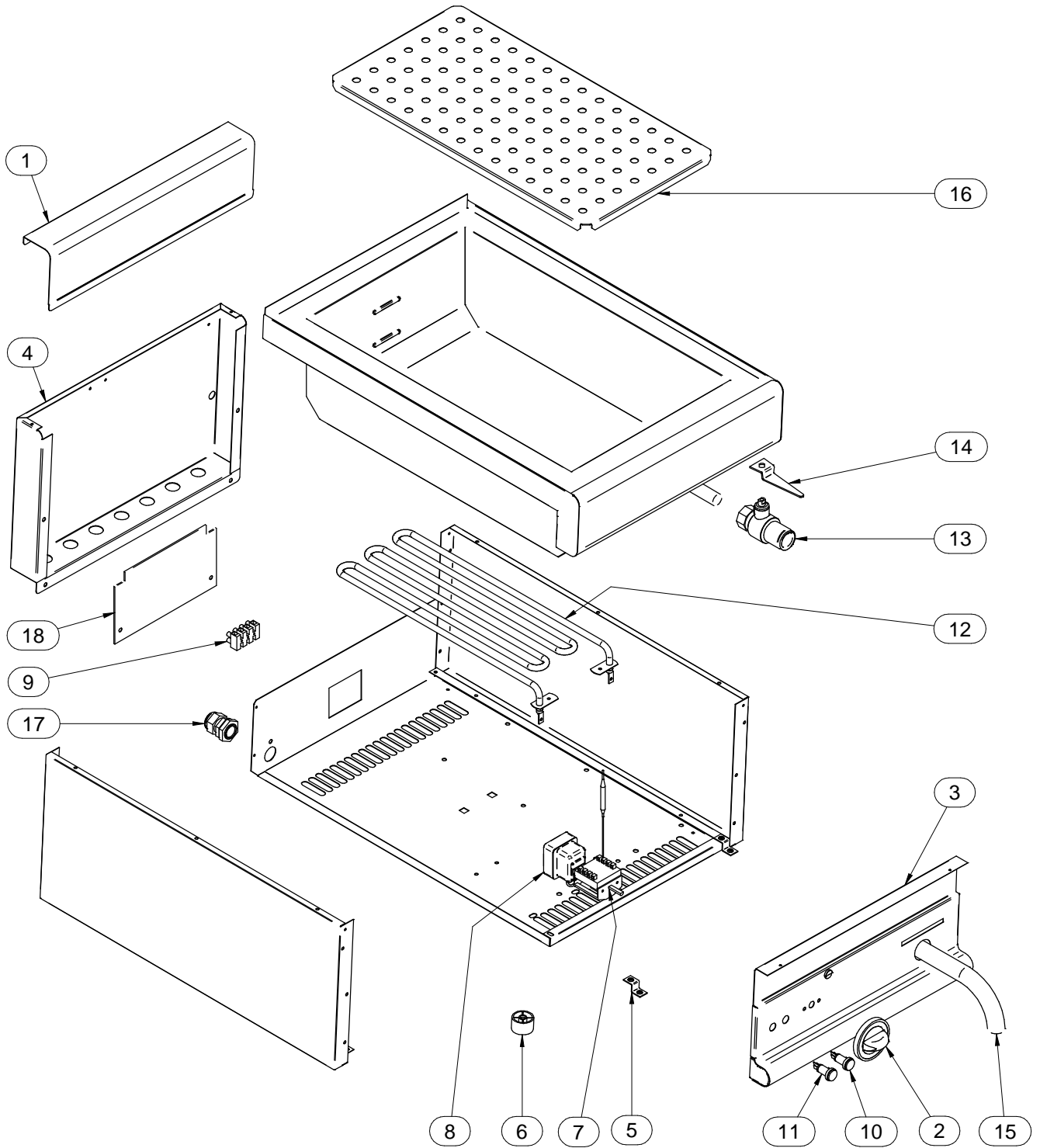
07/2013

# Mod: E65/BM4T

Production code: 65/40 BME



**Diamond**  
catering equipment



Modello Type:	<b>65/40 BME</b>				cod. / num. <b>2531467.00</b>	
					data / date: <b>05/07/2013</b>	
POS. ITEM	CODICE CODE	DESCRIZIONE	DESCRIPTION	DENOMINATION	BENENNUNG	NOTE / NOTES
1	611.005.00	ALZATINA	UPSTAND	DOSSERET	AUFKANTUNG	
2	612.073.00	MANOPOLA	KNOB	BOUTON	DREHKNOPF	
3	256.116.00	CRUSCOTTO	CONTROL PANEL	BANDEAU	BEDIENBLLENDE	
4	621.027.00	PANNELLO POSTERIORE	BACK PANEL	PANNEAU POSTERIEUR	HINTERBRETT	
5	256.002.00	STAFFA FISSAGGIO CRUSCOTTO	CONTROL PANEL FIXING BRACKET	EQUERRE FIXATION BANDEAU	BEFESTIGUNGSWINKEL BEDIENBLLENDE	
6	651.001.00	PIEDINO	FOOT	PIED	STELLFUSS	FROM - 01/1999 TO - 05/2013
	651.001.13	PIEDINO	FOOT	PIED	STELLFUSS	FROM - 06/2013 TO - .....
7	661.000.00	COMMUTATORE	CHANGE-OVER SWITCH	COMMUTATEUR	UMSCHALTER	
8	661.004.00	TERMOSTATO	THERMOSTAT	THERMOSTAT	THERMOSTAT	
9	663.018.00	MORSETTIERA	TERMINAL BOARD	BORNES	KLEMMENBRETT	
10	663.043.00	SPIA VERDE	GREEN INDICATOR LIGHT	LAMPE TEMOIN VERTE	GRUENE KONTROLLAMPE	
11	663.044.00	SPIA ARANCIO	ORANGE INDICATOR LIGHT	LAMPE TEMOIN ORANGE	ORANGE KONTROLLAMPE	
12	665.003.00	RESISTENZA	HEATING ELEMENT	RESISTANCE	HEIZKOERPER	
13	256.047.00	RUBINETTO	TAP	ROBINET	WASSERHAHN	
14	623.027.00	LEVA RUBINETTO	TAP LEVER	LEVIER ROBINET	HAHNHEBEL	
15	631.000.00	SCARICO	DRAIN	VIDANGE	ABLAUF	
16	621.035.00	FALSO FONDO	FALSE BOTTOM	FAUX-FOND	ABTROPFPLATTE	
17	256.114.00	PRESSACAVO	CABLE GLAND	PRESSE-ÉTOUPE	KABELVERSCHRAUBUNG	
18	623.006.00	COPERCHIO MORSETTIERA	TERMINAL BOARD COVER	COUVERCLE BORNE	DECKEL DES KLEMMENBRETTES	
19						