

06/2013

# **Mod: CGE11-N (230/1)**

**Production code: 503.002.201**

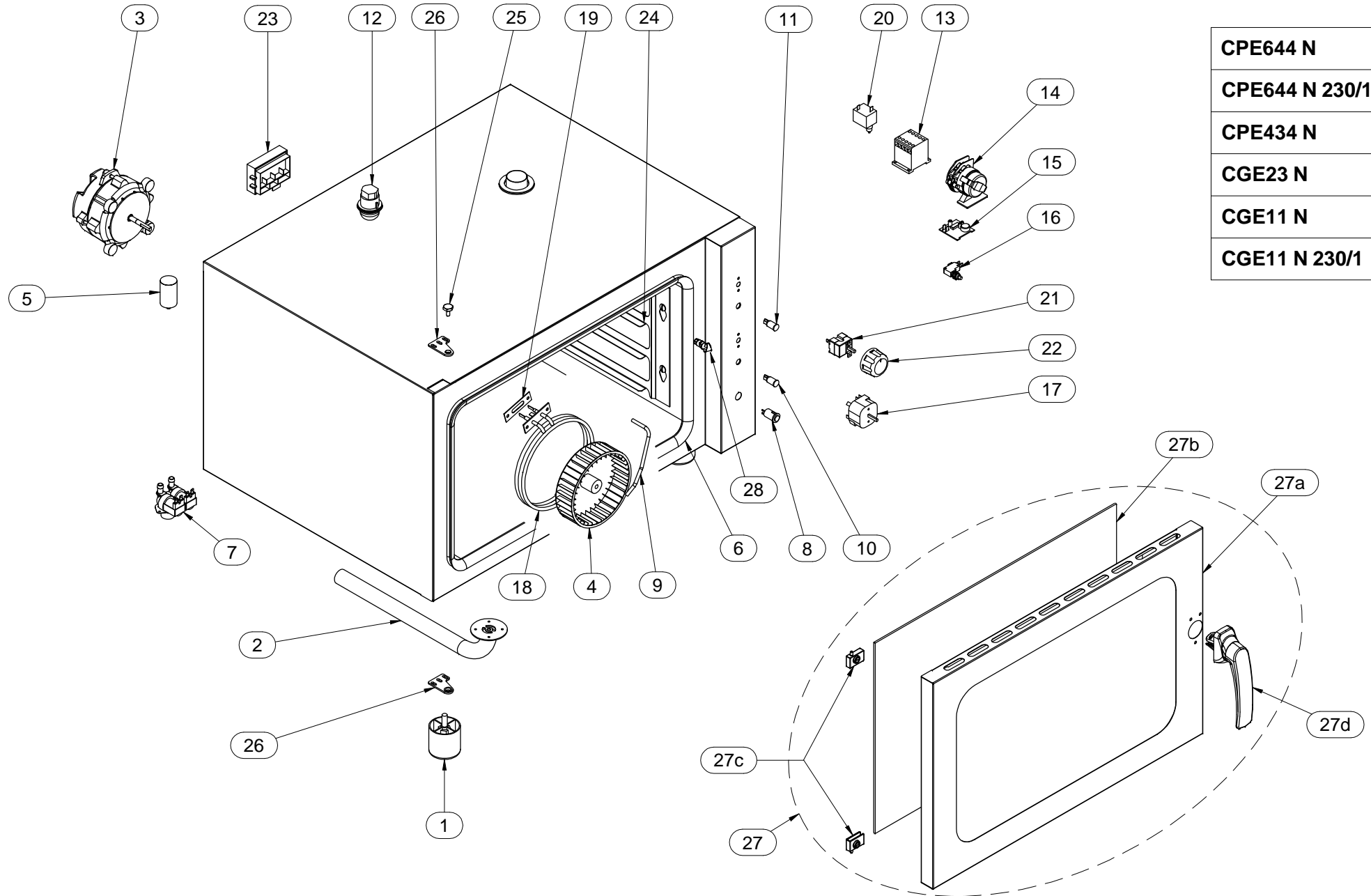


**Diamond**  
catering equipment

Mod./Type: **FORNO ELETTRICO 4T PORTA A BANDIERA**  
**ELECTRIC OVEN 4T SWING DOOR**

cod./num. 2531390.00

data/date: 03/06/2013



|                |
|----------------|
| CPE644 N       |
| CPE644 N 230/1 |
| CPE434 N       |
| CGE23 N        |
| CGE11 N        |
| CGE11 N 230/1  |

| Mod.: | FORNI ELETTRICI VENTILATI<br>ELECTRIC FAN OVENS |                             |                         | cod. / num. 2531391.00      |            | CPE644 N | CPE644 N 230/1 | CPE434 N | CGE23 N | CGE11 N | CGE11 N 230/1 | NOTE |
|-------|---|-----------------------------|-------------------------|-----------------------------|------------|----------|----------------|----------|---------|---------|---------------|------|
|       |   |                             |                         | data / date 03/06/2013      |            |          |                |          |         |         |               |      |
|       | rif. / ref. 2531390.00                          |                             |                         |                             |            |          |                |          |         |         |               |      |
| POS.  | DESCRIZIONE                                     | DESCRIPTION                 | DENOMINATION            | BENENNUNG                   | COD.       | Q. ty    |                |          |         |         |               |      |
| 1     | PIEDINO   | FOOT                        | PIED                    | STELLFUSS                   | 551.012.00 | 4        | 4              | 4        | 4       | 4       | 4             |      |
| 2     | SCARICO   | DRAIN                       | VIDANGE                 | ABLAUF                      | 511.101.00 | -        | -              | -        | 1       | 1       | 1             |      |
| 3     | MOTORE  | MOTOR                       | MOTEUR                  | MOTOR                       | 564.039.14 | 2        | 2              | 2        | 2       | 2       | 2             |      |
| 4     | VENTOLA   | FAN                         | VENTILATEUR             | LÜFTERRAD                   | 544.016.00 | 2        | 2              | 2        | 2       | 2       | 2             |      |
| 5     | CONDENSATORE                                    | CONDENSER                   | CONDENSEUR              | KONDENSATOR                 | 564.040.14 | 2        | 2              | 2        | 2       | 2       | 2             |      |
| 6     | GUARNIZIONE                                     | WASHER                      | GUARNITURE              | DICHTUNGSRING               | 553.005.00 |          |                | 1        | 1       |         |               |      |
|       |   |                             |                         |                             | 553.004.00 | 1        | 1              |          |         | 1       | 1             |      |
| 7     | ELETTROVALVOLA                                  | SOLENOID VALVE              | ELECTROVANNE            | ELEKTROVENTIL               | 256.054.00 | 1        | 1              | 1        | 1       | 1       | 1             |      |
| 8     | PULSANTE INIEZIONE ACQUA                        | WATER INJECTION PUSH BUTTON | POUSSOIR INJECTION EAU  | WASSERSPRITZKNOPF           | 561.039.00 | 1        | 1              | 1        | 1       | 1       | 1             |      |
| 9     | EROGATORE                                       | NOZZLE                      | INJECTEUR               | SPRÜHDÖSE                   | 531.036.00 | 2        | 2              | 2        | 2       | 2       | 2             |      |
| 10    | SPIA VERDE                                      | GREEN INDICATOR LIGHT       | LAMPE TEMOIN VERTE      | GRÜNE KONTROLLAMPE          | 963.012.00 | 1        | 1              | 1        | 1       | 1       | 1             |      |
| 11    | SPIA ARANCIO                                    | ORANGE INDICATOR LIGHT      | LAMPE TEMOIN ORANGE     | ORANGE KONTROLLAMPE         | 963.013.00 | 1        | 1              | 1        | 1       | 1       | 1             |      |
| 12    | LAMPADA   | LAMP                        | LAMPE                   | LAMPE                       | 563.004.00 | 1        | 1              | 1        | 1       | 1       | 1             |      |
| 13    | CONTATTORE                                      | CONTACTOR                   | CONTACTEUR              | FERNSCHALTER                | 461.021.00 |          | 2              | 2        | 2       |         | 2             |      |
|       |   |                             |                         |                             | 961.002.00 | 2        |                |          |         | 2       |               |      |
| 14    | TIMER CICLO                                     | CYCLE TIMER                 | MINUTERIE CYCLE         | ZYKLUS-ZEITSCHALTER         | 561.035.00 | 1        | 1              | 1        | 1       | 1       | 1             |      |
| 15    | BUZZER  | BUZZER                      | SONNERIE                | KLINGELTON                  | 256.052.00 | 1        | 1              | 1        | 1       | 1       | 1             |      |
| 16    | MICRO PORTA                                     | DOOR MICROSWITCH            | MICROINTERRUPTEUR PORTE | TUERKONTAKT SCHALTER        | 961.021.00 | 1        | 1              | 1        | 1       | 1       | 1             |      |
| 17    | TIMER   | TIMER                       | TIMER                   | ZEITSCHALTUHR               | 561.041.00 | 1        | 1              | 1        | 1       | 1       | 1             |      |
| 18    | RESISTENZA                                      | HEATING ELEMENT             | RESISTANCE              | HEINZELEMENT                | 565.005.00 |          | 2              | 2        | 2       |         | 2             |      |
|       |   |                             |                         |                             | 665.093.00 | 2        |                |          |         | 2       |               |      |
| 19    | GUARNIZIONE RESISTENZA                          | HEATING ELEMENT GASKET      | JOINT DE LA RÉSISTENCE  | WIDERSTAND-DICHTUNG         | 553.008.00 | 2        | 2              | 2        | 2       | 2       | 2             |      |
| 20    | TERMOSTATO SICUREZZA                            | SAFETY THERMOSTAT           | THERMOSTAT DE SECURITE  | TEMPERATURBEGRENZER         | 561.036.00 | 1        | 1              | 1        | 1       | 1       | 1             |      |
| 21    | TERMOSTATO                                      | THERMOSTAT                  | THERMOSTAT              | THERMOSTAT                  | 561.038.00 | 1        | 1              | 1        | 1       | 1       | 1             |      |
| 22    | MANOPOLA  | KNOB                        | BOUTON                  | DREHKNOPF                   | 551.002.00 | 2        | 2              | 2        | 2       | 2       | 2             |      |
| 23    | MORSETTIERA                                     | TERMINAL BOARD              | BORNES                  | KLEMMENBRETT                | 663.040.00 | 1        | 1              | 1        | 1       | 1       | 1             |      |
| 24    | COPPIA REGGIGRIGLIA                             | TRAY RACK KIT               | COUPLE DE PORTE-PLAQUES | PAAR EINHÄNGEGESTELL        | 503.513.40 |          |                |          |         | 1       | 1             |      |
|       |   |                             |                         |                             | 503.512.40 |          |                |          | 1       |         |               |      |
|       |   |                             |                         |                             | 503.514.40 | 1        | 1              | 1        |         |         |               |      |
| 25    | PERNO CERNIERA                                  | JOINT STUD                  | GOUJON DE LA CHARNIÈRE  | SCHARNIERBOLZEN             | 541.043.00 | 1        | 1              | 1        | 1       | 1       | 1             |      |
| 26    | CERNIERA  | JOINT                       | CHARNIERE               | SCHARNIER                   | 256.053.00 | 2        | 2              | 2        | 2       | 2       | 2             |      |
| 27    | PORTA   | DOOR                        | PORTE                   | TÜR                         | 510.060.15 |          |                | 1        | 1       |         |               |      |
|       |   |                             |                         |                             | 510.052.15 | 1        | 1              |          |         | 1       | 1             |      |
| 27a   | VETRO ESTERNO                                   | OUTER GLASS                 | VERRE EXTÉRIEUR         | ÄUßERES GLAS                | 256.434.00 |          |                | 1        | 1       |         |               |      |
|       |   |                             |                         |                             | 256.433.00 | 1        | 1              |          |         | 1       | 1             |      |
| 27b   | VETRO INTERNO                                   | INNER GLASS                 | VERRE INTÉRIEUR         | INNERES GLAS                | 555.019.00 |          |                | 1        | 1       |         |               |      |
|       |   |                             |                         |                             | 555.011.00 | 1        | 1              |          |         | 1       | 1             |      |
| 27c   | COPPIA CERNIERE                                 | GASKETS PAIR                | COUPLE CHARNIÈRES       | SCHARNIERPAAR               | 584.000.00 | 1        | 1              | 1        | 1       | 1       | 1             |      |
| 27d   | MANIGLIA  | HANDLE                      | POIGNÉE                 | HANDGRIFF                   | 584.002.00 | 1        | 1              | 1        | 1       | 1       | 1             |      |
| 28    | NASO PER MANIGLIE 2 GANCIO                      | NOSE FOR DOOR HANDLE 2 HOOK | NEZ DE PORTE 2 CROCHETS | GEFÜHL DER TÜRGRIFF 2 HAKEN | 584.003.00 | 1        | 1              | 1        | 1       | 1       | 1             |      |