

06/2013

# **Mod: NT22/G-ALZ/VV**

**Production code: P011R03006 (IR22VS)**



**Diamond**  
catering equipment



# KNEADING MACHINE

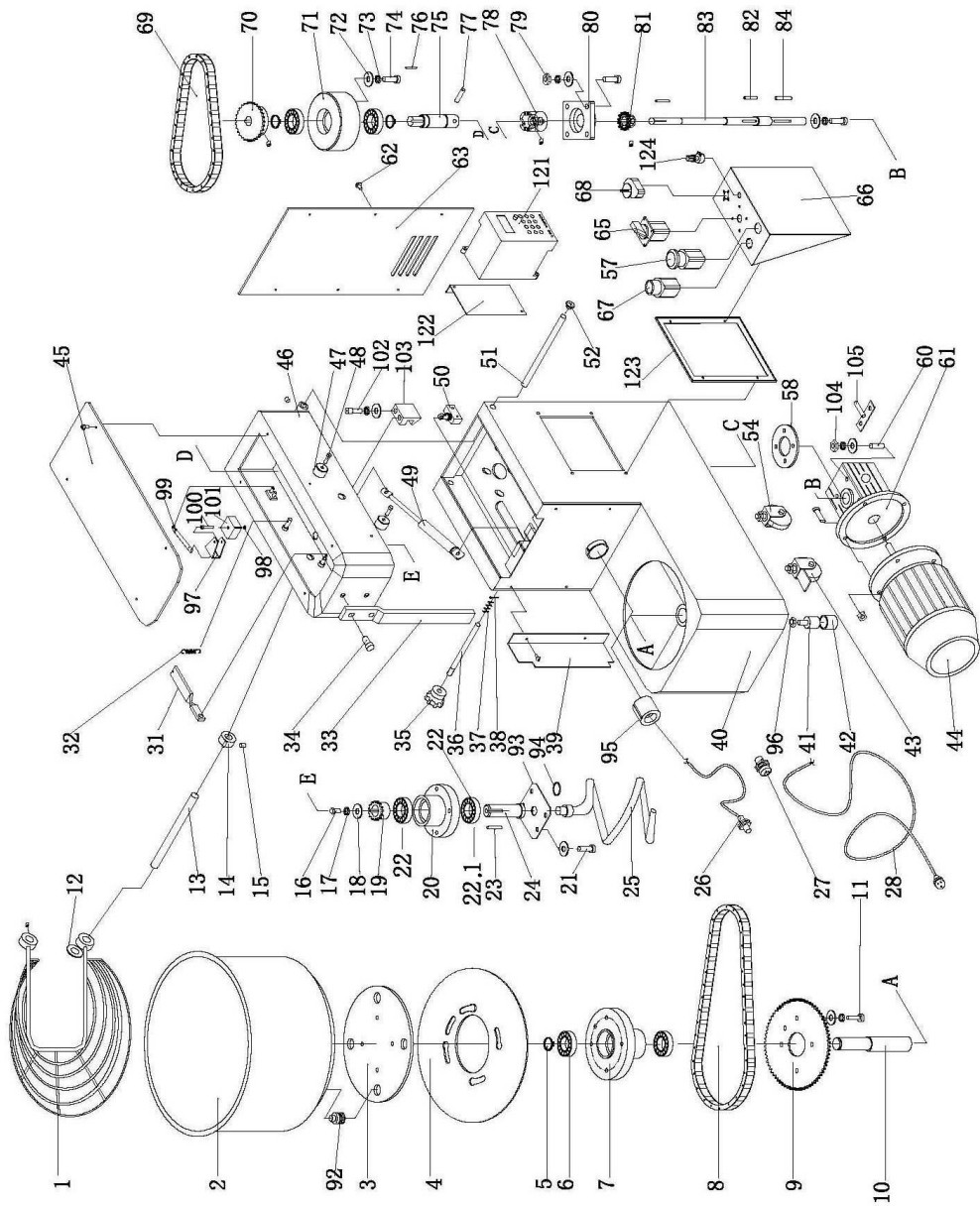


**IR22VS-NT22/G-ALZ/VV**

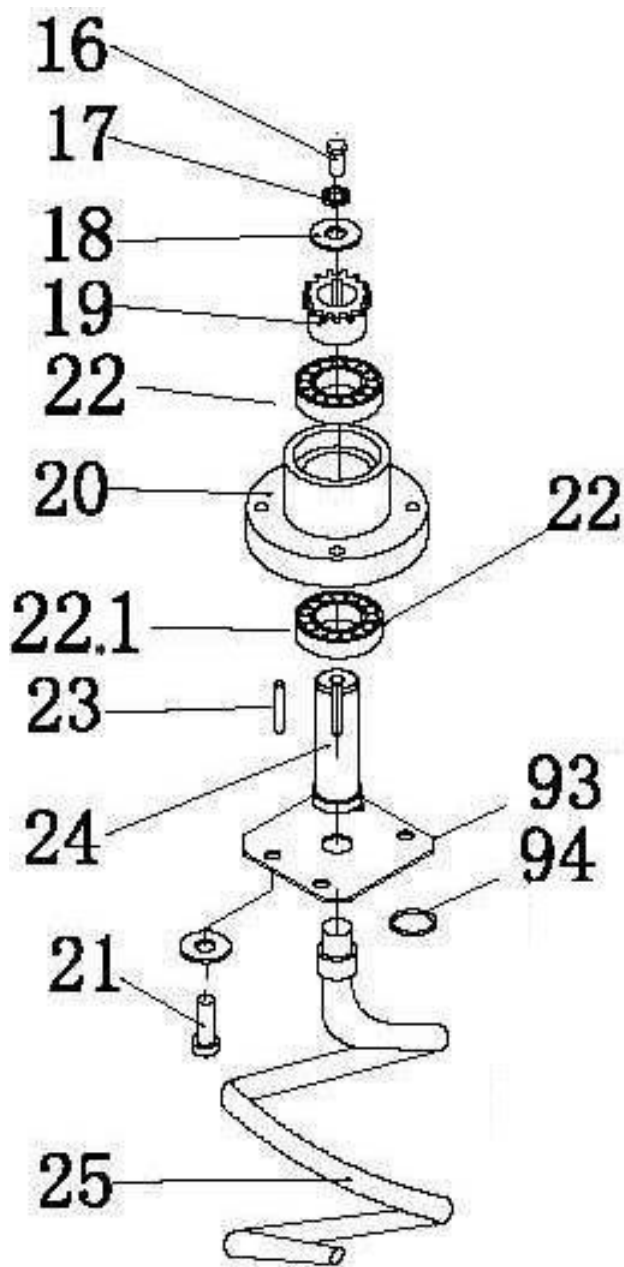
**IR33VS-NT33/G-ALZ/VV**

**IR42VS-NT42/G-ALZ/VV**

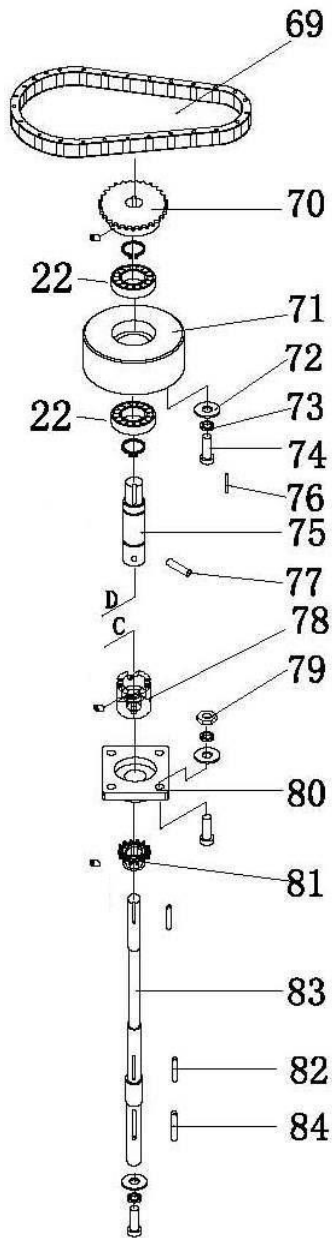
**IR53VS-NT53/G-ALZ/VV**



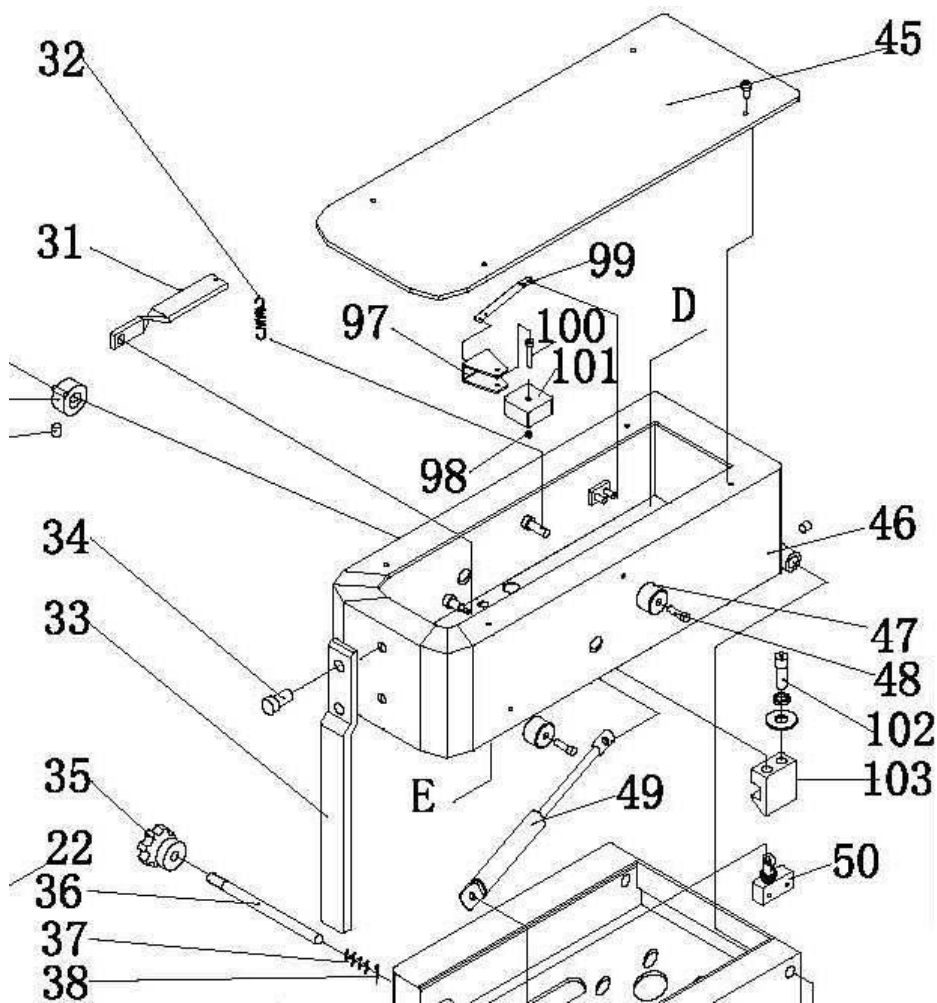
IR 17:22:33:42:53 VS



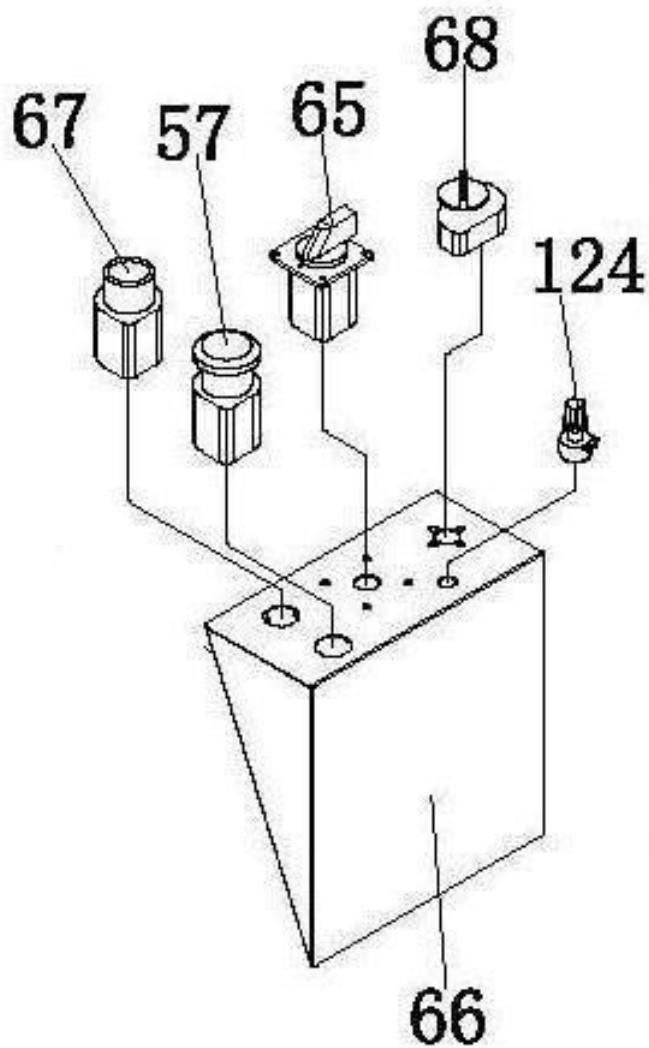
IR 17÷22÷33÷42÷53 VS



IR 17:22:33:42:53 VS



IR 17÷22÷33÷42÷53 VS



IF 17÷22÷33÷42÷53 VS ÷ IR 17÷22÷33÷42÷53 VS

| MOD. | IR17 VS    | IR22 VS    | IR33 VS    | IR42 VS    | IR53 VS    |
|------|------------|------------|------------|------------|------------|
| POS. |            |            |            |            |            |
| 1    | A96ZE00007 | A96ZE00008 | A96ZE00009 | A96ZE00010 | A96ZE00011 |
| 2    | A96ZV00015 | A96ZV00016 | A96ZV00017 | A96ZV00018 | A96ZV00019 |
| 3    | A96ZV00020 | A96ZV00020 | A96ZV00020 | A96ZV00020 | A96ZV00020 |
| 4    | A96ZV00021 | A96ZV00022 | A96ZV00023 | A96ZV00024 | A96ZV00025 |
| 5    | A96ZD00001 | A96ZD00001 | A96ZD00001 | A96ZD00001 | A96ZD00001 |
| 6    | A89CK00010 | A89CK00010 | A89CK00010 | A89CK00010 | A89CK00010 |
| 7    | A96ZV00025 | A96ZV00025 | A96ZV00025 | A96ZV00025 | A96ZV00025 |
| 8    | S14MT67014 | S14MT67014 | S14MT67015 | S14MT67015 | S14MT67015 |
| 9    | A96ZR00004 | A96ZR00004 | A96ZR00005 | A96ZR00005 | A96ZR00005 |
| 10   | A96ZI00013 | A96ZI00013 | A96ZI00013 | A96ZI00013 | A96ZI00013 |
| 11   | A86ME24121 | A86ME24121 | A86ME24121 | A86ME24121 | A86ME24121 |
| 12   | A96ZE00013 | A96ZE00013 | A96ZE00013 | A96ZE00013 | A96ZE00013 |
| 13   | A96ZI00014 | A96ZI00014 | S63FS67001 | S63FS67001 | S63FS67001 |
| 14   | A96ZE00014 | A96ZE00014 | A96ZE00014 | A96ZE00014 | A96ZE00014 |
| 15   | A86ME32013 | A86ME32013 | A86ME32013 | A86ME32013 | A86ME32013 |
| 16   | A86ME24116 | A86ME24116 | A86ME24116 | A86ME24116 | A86ME24116 |
| 17   | A86ME26024 | A86ME26024 | A86ME26024 | A86ME26024 | A86ME26024 |
| 18   | A86ME26025 | A86ME26025 | A86ME26025 | A86ME26025 | A86ME26025 |
| 19   | A96ZH00006 | A96ZH00006 | A96ZH00007 | A96ZH00007 | A96ZH00007 |
| 20   | A96ZS00006 | A96ZS00006 | A96ZS00007 | A96ZS00007 | A96ZS00007 |
| 21   | A86ME24114 | A86ME24114 | A86ME24114 | A86ME24114 | A86ME24114 |
| 22   | A89CK00010 | A89CK00010 | A89CK00010 | A89CK00010 | A89CK00010 |
| 22.1 | A89CK00010 | A89CK00010 | A89CK00011 | A89CK00011 | A89CK00011 |
| 23   | A86ME36008 | A86ME36008 | A86ME36009 | A86ME36009 | A86ME36009 |
| 24   | A96ZI00015 | A96ZI00015 | A96ZI00016 | A96ZI00016 | A96ZI00016 |
| 25   | A96ZS00004 | A96ZS00004 | A96ZS00005 | A96ZS00005 | A96ZS00005 |
| 26   | A96ZN00024 | A96ZN00024 | A96ZN00024 | A96ZN00024 | A96ZN00024 |
| 27   | A96ZN00025 | A96ZN00025 | A96ZN00025 | A96ZN00025 | A96ZN00025 |
| 28   | A96ZN00026 | A96ZN00026 | A96ZN00026 | A96ZN00026 | A96ZN00026 |
| 31   | A96ZF00003 | A96ZF00003 | A96ZF00004 | A96ZF00004 | A96ZF00004 |
| 32   | A86ME30008 | A86ME30008 | A86ME30008 | A86ME30008 | A86ME30008 |
| 33   | A96ZA00001 | A96ZA00001 | A96ZA00002 | A96ZA00003 | A96ZA00004 |
| 34   | A86ME24117 | A86ME24117 | A86ME24117 | A86ME24117 | A86ME24117 |
| 35   | A96ZF00008 | A96ZF00008 | A96ZF00008 | A96ZF00008 | A96ZF00008 |
| 36   | A96ZI00028 | A96ZI00028 | A96ZI00029 | A96ZI00029 | A96ZI00029 |
| 37   | A96ZN00036 | A96ZN00036 | A96ZN00036 | A96ZN00036 | A96ZN00036 |
| 38   | A96ZF00009 | A96ZF00009 | A96ZF00009 | A96ZF00009 | A96ZF00009 |
| 39   | A96ZB00001 | A96ZB00008 | A96ZB00002 | A96ZB00003 | A96ZB00004 |
| 40   | -----      | -----      | -----      | -----      | -----      |
| 41   | A96ZF00011 | A96ZF00011 | A96ZF00011 | A96ZF00011 | A96ZF00011 |
| 42   | A96ZF00019 | A96ZF00019 | A96ZF00019 | A96ZF00019 | A96ZF00019 |
| 43   | A96ZG00003 | A96ZG00003 | A96ZG00003 | A96ZG00003 | A96ZG00003 |
| 44   | A87MR56010 | A87MR56010 | A96ZJ00024 | A96ZJ00024 | A96ZJ00024 |
| 45   | A96ZC00002 | A96ZC00002 | A96ZC00004 | A96ZC00004 | A96ZC00004 |
| 46   | -----      | -----      | -----      | -----      | -----      |
| 47   | A96ZD00002 | A96ZD00002 | A96ZD00002 | A96ZD00002 | A96ZD00002 |



|     |            |            |            |            |            |
|-----|------------|------------|------------|------------|------------|
| 48  | A86ME24119 | A86ME24119 | A86ME24119 | A86ME24119 | A86ME24119 |
| 49  | A96ZF00018 | A96ZF00018 | A96ZF00018 | A96ZF00018 | A96ZF00018 |
| 50  | A96ZN00042 | A96ZN00042 | A96ZN00042 | A96ZN00042 | A96ZN00042 |
| 51  | A96ZI00026 | A96ZI00026 | A96ZI00026 | A96ZI00026 | A96ZI00026 |
| 52  | A96ZF00007 | A96ZF00007 | A96ZF00007 | A96ZF00007 | A96ZF00007 |
| 54  | A96ZG00004 | A96ZG00004 | A96ZG00004 | A96ZG00004 | A96ZG00004 |
| 55  | A96ZN00064 | A96ZN00064 | A96ZN00064 | A96ZN00064 | A96ZN00064 |
| 57  | A96ZN00031 | A96ZN00031 | A96ZN00031 | A96ZN00031 | A96ZN00031 |
| 58  | A96ZL00010 | A96ZL00010 | A96ZL00018 | A96ZL00011 | A96ZL00011 |
| 60  | A86ME32014 | A86ME32014 | A86ME32014 | A86ME32014 | A86ME32014 |
| 61  | A96ZL00008 | A96ZL00008 | A96ZL00015 | A96ZL00015 | A96ZL00015 |
| 62  | A86ME24118 | A86ME24118 | A86ME24118 | A86ME24118 | A86ME24118 |
| 63  | S40PS67003 | S40PS67003 | S40PS67004 | S40PS67004 | S40PS67004 |
| 64  | A96ZN00040 | A96ZN00040 | A96ZN00040 | A96ZN00040 | A96ZN00040 |
| 65  | A96ZN00043 | A96ZN00043 | A96ZN00043 | A96ZN00043 | A96ZN00043 |
| 66  | A96ZC00013 | A96ZC00013 | A96ZC00014 | A96ZC00014 | A96ZC00014 |
| 67  | A96ZN00032 | A96ZN00032 | A96ZN00032 | A96ZN00032 | A96ZN00032 |
| 68  | A96ZM00002 | A96ZM00002 | A96ZM00002 | A96ZM00002 | A96ZM00002 |
| 69  | S14MT67012 | S14MT67013 | S14MT67010 | S14MT67011 | S14MT67018 |
| 70  | A96ZH00010 | A96ZH00010 | A96ZH00011 | A96ZH00011 | A96ZH00011 |
| 71  | A96ZN00028 | A96ZN00028 | A96ZN00029 | A96ZN00029 | A96ZN00029 |
| 72  | A86ME26027 | A86ME26027 | A86ME26027 | A86ME26027 | A86ME26027 |
| 73  | A86ME26026 | A86ME26026 | A86ME26026 | A86ME26026 | A86ME26026 |
| 74  | A86ME24125 | A86ME24125 | A86ME24125 | A86ME24125 | A86ME24125 |
| 75  | A96ZI00020 | A96ZI00020 | A96ZI00021 | A96ZI00021 | A96ZI00021 |
| 76  | A86ME36006 | A86ME36006 | A86ME36006 | A86ME36006 | A86ME36006 |
| 77  | A96ZN00027 | A96ZN00027 | A96ZN00027 | A96ZN00027 | A96ZN00027 |
| 78  | A96ZT00001 | A96ZT00001 | A96ZT00002 | A96ZT00002 | A96ZT00002 |
| 79  | A86ME25024 | A86ME25024 | A86ME25024 | A86ME25024 | A86ME25024 |
| 80  | A96ZI00024 | A96ZI00024 | A96ZI00025 | A96ZI00025 | A96ZI00025 |
| 81  | A96ZH00008 | A96ZH00008 | A96ZH00009 | A96ZH00009 | A96ZH00009 |
| 82  | A86ME36006 | A86ME36006 | A86ME36006 | A86ME36006 | A86ME36006 |
| 83  | A96ZI00017 | A96ZI00017 | A96ZI00018 | A96ZI00033 | A96ZI00033 |
| 84  | A86ME36007 | A86ME36007 | A86ME36007 | A86ME36007 | A86ME36007 |
| 92  | S69IV67001 | S69IV67001 | S69IV67001 | S69IV67001 | S69IV67001 |
| 93  | S42PL00002 | S42PL00002 | A96ZS00009 | A96ZS00009 | A96ZS00009 |
| 94  | A96ZD00003 | A96ZD00003 | A96ZD00003 | A96ZD00003 | A96ZD00003 |
| 95  | A96ZN00057 | A96ZN00057 | A96ZN00058 | A96ZN00058 | A96ZN00058 |
| 96  | A86ME25026 | A86ME25026 | A86ME25026 | A86ME25026 | A86ME25026 |
| 97  | A96ZN00053 | A96ZN00053 | A96ZN00053 | A96ZN00053 | A96ZN00053 |
| 98  | A86ME25018 | A86ME25018 | A86ME25018 | A86ME25018 | A86ME25018 |
| 99  | A96ZN00052 | A96ZN00052 | A96ZN00052 | A96ZN00052 | A96ZN00052 |
| 100 | A86ME24122 | A86ME24122 | A86ME24122 | A86ME24122 | A86ME24122 |
| 101 | A96ZN00054 | A96ZN00054 | A96ZN00054 | A96ZN00054 | A96ZN00054 |
| 102 | A86ME24124 | A86ME24124 | A86ME24124 | A86ME24124 | A86ME24124 |
| 103 | A96ZF00012 | A96ZF00012 | A96ZF00012 | A96ZF00012 | A96ZF00012 |
| 104 | A86ME25019 | A86ME25019 | A86ME25019 | A86ME25019 | A86ME25019 |
| 105 | A96ZV00027 | A96ZV00027 | A96ZV00027 | A96ZV00028 | A96ZV00028 |

|            |            |            |            |            |            |
|------------|------------|------------|------------|------------|------------|
| <b>106</b> | A96ZN00055 | A96ZN00055 | A96ZN00055 | A96ZN00055 | A96ZN00055 |
| <b>121</b> | A88IY00001 | A88IY00001 | A88IY00002 | A88IY00002 | A88IY00002 |
| <b>122</b> | A96ZF00021 | A96ZF00021 | A96ZF00022 | A96ZF00022 | A96ZF00022 |
| <b>123</b> | A96ZF00013 | A96ZF00013 | A96ZF00014 | A96ZF00014 | A96ZF00014 |
| <b>124</b> | A96ZN00084 | A96ZN00084 | A96ZN00084 | A96ZN00084 | A96ZN00084 |

## TECHNICAL DATA IF-VS ÷ IR-VS

| Model  | Power |    | Voltage | Machine dimensions | Weight | Dough weight | Bowl capacity | Mixing time | Bowl dimension<br>ø x h |
|--------|-------|----|---------|--------------------|--------|--------------|---------------|-------------|-------------------------|
|        | kW    | Hp |         |                    |        |              |               |             |                         |
| IF17VS | 0,75  | 1  | 230-400 | 35x66x63           | 73     | 12           | 17            | 48          | 32x21                   |
| IF22VS | 0,75  | 1  | 230-400 | 40x69x63           | 76     | 18           | 22            | 70          | 35x21                   |
| IF33VS | 1,5   | 2  | 230-400 | 44x83x72           | 106    | 25           | 33            | 100         | 40x26                   |
| IF42VS | 1,5   | 2  | 230-400 | 47x85x72           | 113    | 38           | 42            | 140         | 45x26                   |
| IF53VS | 1,5   | 2  | 230-400 | 53x86x72           | 112    | 44           | 53            | 170         | 50x26                   |
| IR17VS | 0,75  | 1  | 230-400 | 37x68x64           | 91     | 12           | 17            | 48          | 32x21                   |
| IR22VS | 0,75  | 1  | 230-400 | 47x72x64           | 94     | 22           | 22            | 70          | 35x21                   |
| IR33VS | 1,5   | 2  | 230-400 | 46x84x73           | 127    | 33           | 33            | 100         | 40x26                   |
| IR42VS | 1,5   | 2  | 230-400 | 49x86x73           | 131    | 42           | 42            | 140         | 45x26                   |
| IR53VS | 1,5   | 2  | 230-400 | 55x87x73           | 136    | 53           | 53            | 170         | 50x26                   |