

WARING COMMERCIAL

UK 3/4 Qt. Capacity Chopper/Grinder
WCG75K

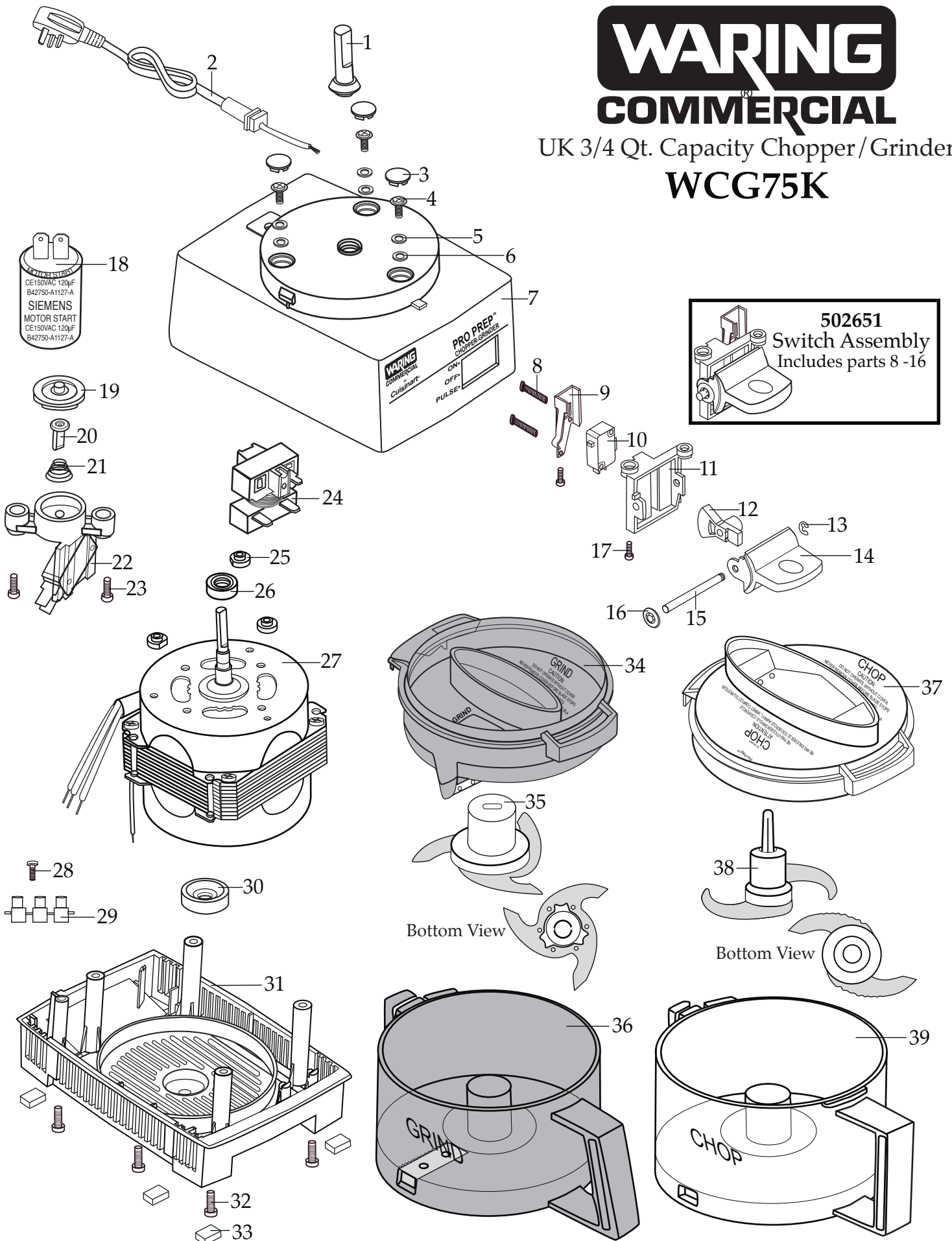


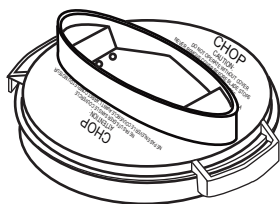
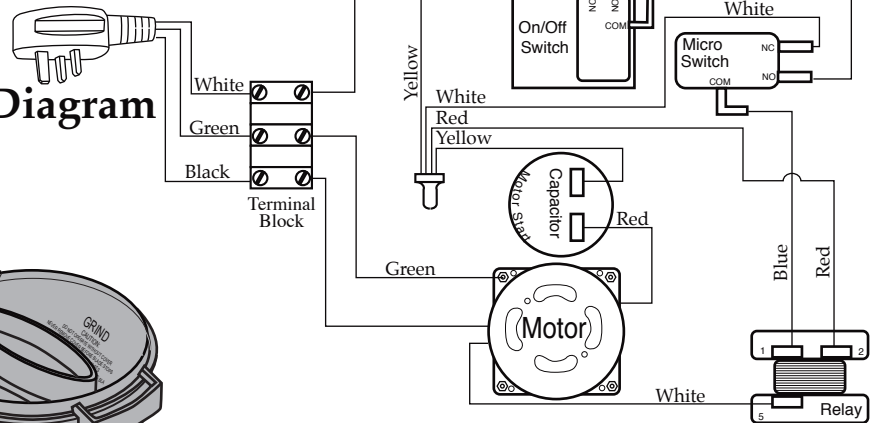
Illustration #	Part #	Description
1	024344	Motor Shaft Sheath
2	502851	Cord Assembly.
3	024345	Motor Screw Cover (3 required)
4	024346	Motor Screw (3 required)
5	024347	Motor Washer (3 required)
6	024348	Motor Fiber Washer (3 required)
7	024349	Housing
8	024350	Screw (2 required)
9	024351	Switch Bracket
10	024352	Main Switch
11	024353	Switch Plate
12	024354	Switch Actuator
13	024355	E-Ring
14	024356	Switch Button
15	024357	Switch Shaft
16	024358	Push Nut Washer
17	024359	Screw (2 required)
18	026672	Capacitor
19	024702	Button Pad
20	024703	Actuating Lever
21	024704	Spring
22	502650	Micro Switch Assembly
23	024705	Screw (2 required)
24	026673	Relay
25	024360	Motor Screw Plug (3 required)
26	024361	Oil Seal
27	026674	230 volt Motor
28	026675	Screw
29	026676	Terminal Block
30	024363	Lower Motor Pad

Illustration #	Part #	Description
31	024364	Base Cover
32	024365	Screw (4 required)
33	024366	Rubber Foot (4 required)
34	502552	Grinding Lid Assembly
35	503500	Grinding Blade Assembly
36	502554	Grinding Bowl Assembly
37	502555	Chopping Lid Assembly
38	503499	Chopping Blade Assembly
39	502557	Chopping Bowl Assembly

Parts Not Shown

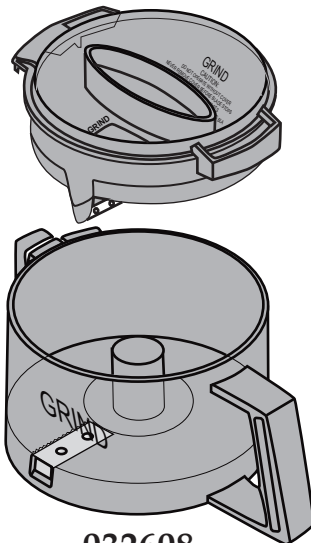
- 502649 - Lead Assembly (2-white, 2-red, 2 yellow)
- 024700 - Blue Lead (goes from micro switch to relay)

Wiring Diagram



032607

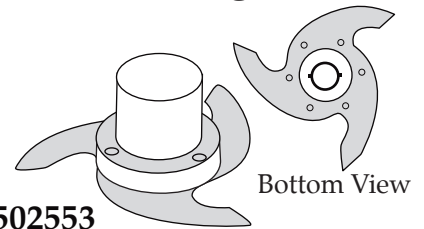
Chopping Bowl and Bowl Cover
(WCG505TX)



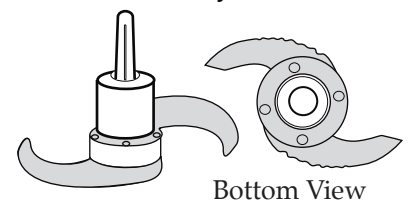
032608

Grinding Bowl and Bowl Cover
(WCG506TX)

Parts No Longer Used



502553
Grinding Blade Assembly



502556
Chopping Blade Assembly